

# **STANDARD DETAILS**

---

2-23-2024

Alliance Geotechnical Solutions, LLC  
Phone: 918-645-2963  
Email: [alliancegsolutions@gmail.com](mailto:alliancegsolutions@gmail.com)

Alliance Geotechnical Solutions, LLC  
Phone: 918-845-2963  
Email: Alliancegsolutions@gmail.com

Dear Engineers:

The purpose of this manual is to provide guidance and reduce the time required to complete and implement design solutions.

The drawings shown are typical gabion structure configurations and can be modified for specific applications and site conditions.

Please feel free to copy the design details and product specifications directly into your Auto Cad files.

Call for consultation concerning applications, design, drawings, specifications, budgeting and construction.

Sincerely

Colin Glass  
3-11-2024

# CONTENTS

<u>DESCRIPTION</u>	<u>DRAWING #</u>	<u>PAGE</u>
1. Cover		1
2. Lettter		2
3. Contents		3,4,5,6
4. Gabion Detail	P1	7
5. Gabion Detail	P2	8
6. Reserved	P3	9
7. Reserved	P4	10
8. Gabion Wall End Detail (Angular)	E1	11
9. Gabion Wall End Detail (Radius)	E2	12
10. Gabion Wall End Detail (90 °)(Stepped)	E3	13
11. Gabion Wall Transition (H1:2V To H1:1V)	T1	14
12. Gabion Wall Transition (H1:2V To H1.5:1V)	T2	15
13. Gabion Gravity wall (Vertical) (Stepped Front Face) (Free Draining Backfill)	GW1	16
14. Gabion Gravity Wall (Inclined) (Stepped Front Face) (Free Draining Backfill)	GW2	17
15. Gabion Gravity Wall (Vertical) (Stepped Front Face) (Specified Backfill)	GW3	18
16. Gabion Gravity Wall (Inclined) (Stepped Front Face) (Specified Backfill)	GW4	19
17. Gabion Gravity Wall (Inclined) (Smooth Front Face) (Specified Backfill)	GW5	20
18. Gabion Gravity Wall (Tiered)	GW6	21
19. Gabion Gravity Wall (6 ft.) (Vertical) (Stepped Front face) (Specified Backfill)	GW7A	22
20. Gabion Gravity Wall (9 ft.) (Vertical) (Stepped Front face) (Specified Backfill)	GW7B	23
21. Gabion Gravity Wall (12 ft.) (Vertical) (Stepped Front face) (Specified Backfill)	GW7C	24
22. Gabion Gravity Wall (15 ft.) (Vertical) (Stepped Front face) (Specified Backfill)	GW7D	25
23. Gabion Gravity Wall (6 ft.) (Vertical) (Stepped Front Face) (Granular Foundation)	GW 8A	26

Alliance Geotechnical Solutions, LLC

Phone: 918-645-2963

Email: [alliancegsolutions@gmail.com](mailto:alliancegsolutions@gmail.com)

# CONTENTS

<u>DESCRIPTION</u>	<u>DRAWING #</u>	<u>PAGE</u>
24. Gabion Gravity Wall (9 ft.) (Vertical) (Stepped Front Face) (Granular Foundation)	GW8B	27
25. Gabion Gravity Wall (12 ft.) (Vertical) (Stepped Front Face) (Granular Foundation)	GW8C	28
26. Gabion Gravity Wall (15 ft.) (Vertical) (Stepped Front Face) (Granular Foundation)	GW8D	29
27. Gabion Gravity Wall (6 ft.) (Inclined) (Smooth Front Face) (Specified Backfill)	GW9A	30
28. Gabion Gravity Wall (9 ft.) (Inclined) (Smooth Front Face) (Specified Backfill)	GW9B	31
29. Gabion Gravity Wall (12 ft.) (Inclined) (Smooth Front Face) (Specified Backfill)	GW9C	32
30. Gabion Gravity Wall (15 ft.) (Inclined) (Smooth Front Face) (Specified Backfill)	GW9D	33
31. Gabion & Reinforced Soil- Section	GRS1	34
32. Gabion & Reinforced Soil (15 ft. Height) (1.00 ft. Setbacks)	GRS2	35
33. Gabion & Reinforced Soil (15 ft. Height) ( 0.25 ft. Setbacks)	GRS3	36
34. Gabion & Reinforced Soil (18 ft. Height) (1.00 ft. Setbacks)	GRS4	37
35. Gabion & Reinforced Soil ( 18 ft. Height) (0.25 ft Setbacks)	GRS5	38
36. Gabion & Reinforced Soil (21 ft. Height) (1.00 ft. Setbacks)	GRS6	39
37. Gabion & Reinforced Soil (21 ft. Height) (0.25 ft. Setbacks)	GRS7	40
38. Gabion & Reinforced Soil (24 ft. Height) (1.00 ft. Setbacks)	GRS8	41
39. Gabion & Reinforced Soil (24 ft. Height) (0.25 ft. Setbacks)	GRS9	42
40. Tie-back Gabion Wall- Rock Anchors	RA1	43
41. Tie-back Gabion Wall- Soil Nails	SN1	44
42. Counterfort Gabion Wall	CF1	45

Alliance Geotechnical Solutions, LLC  
Phone: 918-645-2963  
Email: [alliancegsolutions@gmail.com](mailto:alliancegsolutions@gmail.com)



# CONTENTS

<u>DESCRIPTION</u>	<u>DRAWING #</u>	<u>PAGE</u>
43. Slope Protection (Gabion Mattress) (> 2H:1V Slope)	S1A	46
44. Slope Protection (Gabion Mattress) (> 2H:1V Slope) (Top & Bottom of Slope Flat)	S1B	47
45 Slope Protection (Gabion Mattress) (> 2H:1V Slope) (Top of Slope Flat, Bottom of Slope Buried)	S1C	48
46 Slope Protection (Gabion Mattress) (>1.5H:1V Slope) (3' X 3' Toe)	S2A	49
47 Slope Protection (Gabion Mattress) (>1.75H:1V Slope) (3' X 3' Toe)	S2B	50
48. Slope Protection (Gabion) (Mattress)(Different Thickness)	S3	51
49. Slope Protection (Gabion) (Stepped) (3' X 1') (1.5H:1V Slope)	S4A	52
50. Slope Protection (Gabion) (Stepped) (6' X 1') (1.5H:1V Slope)	S4B	53
51. Slope Protection (Gabion) (Stepped) (6' X 1') (3H:1V Slope)	S4C	54
52. Slope Protection (Gabion) (Stepped) (3' X 1.5') (1H:1V Slope)	S5A	55
53. Slope Protection (Gabion) (Stepped) (6' X 1.5') (1H:1V Slope)	S5B	56
54. Slope Protection (Gabion) (Stepped) (6' X 1.5') (2H:1V Slope)	S5C	57
55. Slope Protection (Gabion & Reinforced soil) (1H:1V Slope)	S6A	58
56. Slope Protection (Gabion & Reinforced soil) (1.5H:1V Slope)	S6B	59
57. Slope Protection (Gabion & Reinforced soil) (1H: 2V Slope)	S6C	60
58. Channel (Trapezoidal) (Gabion Mattress Sides & Bottom)	C1A	61
59. Channel (Gabion Mattress Bottom)	C1B	62
60. Channel (Gabion Mattress Sides)	C1C	63
61. Channel (Gabion Mattress Bottom) (Stepped 1H:1V Gabion Sides)	C1D	64
62. Channel (Gabion Mattress Bottom) (Stepped 1.5H:1V Gabion Sides)	C1E	65
63. Channel (Gabion Mattress Sides & Bottom) (3' X 3' Gabion Walls)	C1F	66
64. Channel (Gabion Gravity Walls) (Gabion Mattress Bottom)	C1G	67
65. Channel (Stable Slopes) (Gabion Mattress Bottom)	C1H	68
66. Channel (Gabion GravityWall) (Gabion Mattress Sides, Benches &Bottom)	C1I	69
67. Channel (Gabion Mattress Slope Protection) (3' X 3' Gabion toe)	C1J	70
68. Gabion Drop Structure with Stilling Basin- Plan & Section	C2A	71

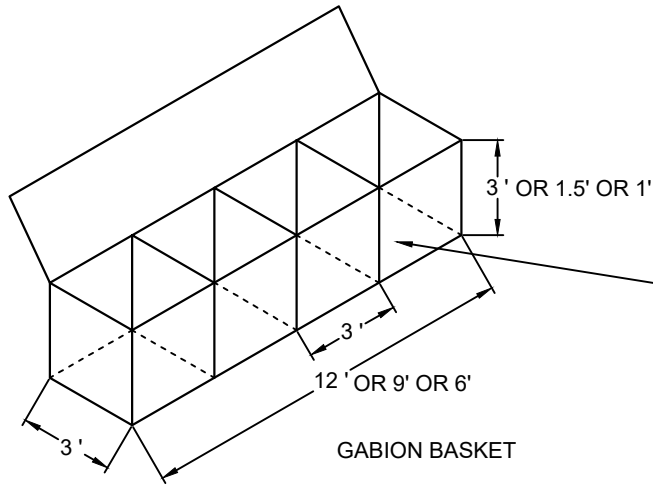
Alliance Geotechnical Solutions, LLC  
Phone: 918-645-2963  
Email: [alliancegsolutions@gmail.com](mailto:alliancegsolutions@gmail.com)

# CONTENTS

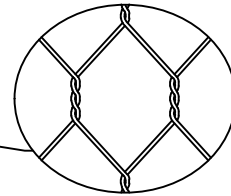
<u>DESCRIPTION</u>	<u>DRAWING #</u>	<u>PAGE</u>
69.Gabion Drop Structure with Stilling Basin- Isometric View	C2B	72
70.Gabion Weir (Downstream Drop)	C3	73
71. Gabion Weir (Downstream Slope)	C4	74
72. Gabion Grade Control Structures	C5	75
73.Gabion Headwall- Plan	M1A	76
74.Gabion Headwall- Sections	M1B	77
75.Gabion Mattress and Concrete Headwall	M2	78
76.Gabion Slope Headwall	M3	79
77.Gabion Drop Structures - Isometric View	M4A	80
78.Gabion Drop Structure - Isometric -Installation Drawing	M4B	81
79. Gabion Drop Structure - Isometric	M4C	82
73. Landscape Gabion- Plan & Elevation	M5A	83
74. Landscape Gabion- Sections	M5B	84
75. Vegetated Gabion- Section	M5C	85
76. Vegetated Gabion- Detail	M5D	86
84. Gabion Chute- Plan & Sections	M6A	87
85. Gabion Chute- Isometric View	M6B	88

Alliance Geotechnical Solutions, LLC  
Phone: 918-645-2963  
Email: [alliancegsolutions@gmail.com](mailto:alliancegsolutions@gmail.com)

REVISIONS				
ZONE	REV	DESCRIPTION	DATE	APPROVED



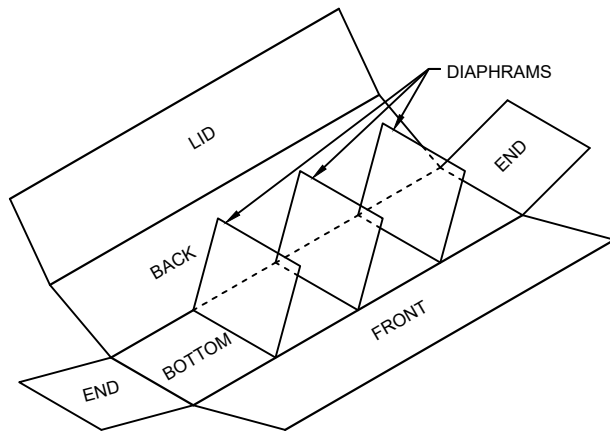
GABION BASKET



DOUBLE TWISTED MESH  
3.25" X 4.5" NOMINAL OPENINGS

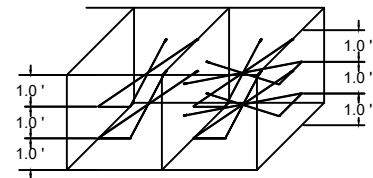
**ISOMETRIC VIEW**

**DETAIL**



GABIONS COMES FOLDED  
UNFOLD AND FOLD THEM INTO SHAPE

**ISOMETRIC VIEW**



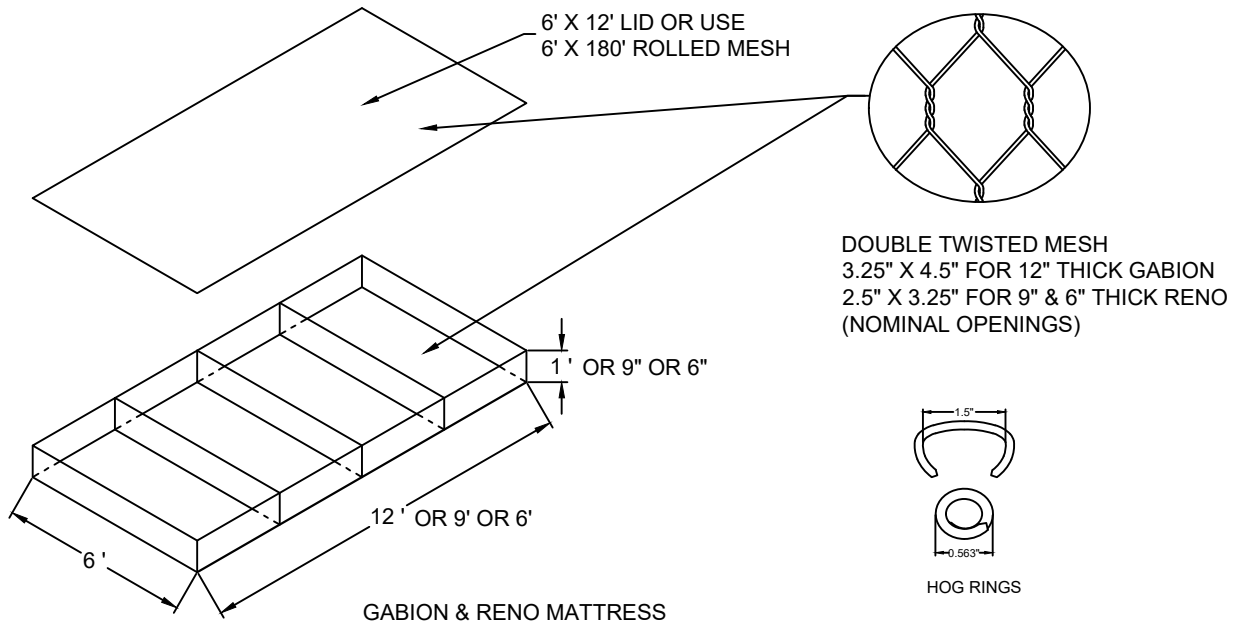
INNER TIES

**ISOMETRIC VIEW**

	SD # P1 - GABION DETAIL 1			
	Alliance Geotechnical Solutions, LLC Phone: 918-645-2963 Email: <a href="mailto:alliancegsolutions@gmail.com">alliancegsolutions@gmail.com</a>			
	SIZE	FSCM NO.	DWG NO. <b>AGSP1</b>	REV
	SCALE	DRAWN BY: T.YU CHECKED BY: COLIN GLASS		SHEET <b>7</b>

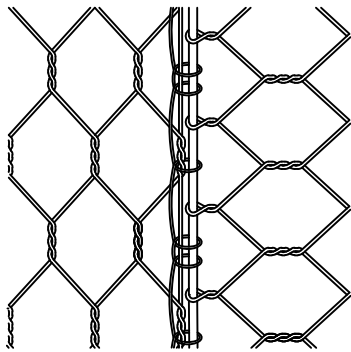
REVISIONS

ZONE	REV	DESCRIPTION	DATE	APPROVED



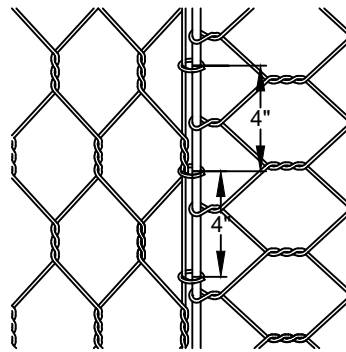
**ISOMETRIC VIEW**

**DETAIL**



ALTERNATE LACING WIRE SINGLE AND DOUBLE LOOPS AT EVERY OPENINGS

**DETAIL**



HOG RINGS @ 4" ON CENTERS

**DETAIL**

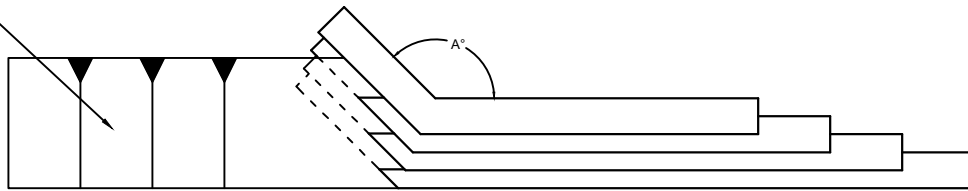
	SD # P2 - GABION DETAIL 2			
	Alliance Geotechnical Solutions, LLC Phone: 918-645-2963 Email: alliancegsolutions@gmail.com			
	SIZE	FSCM NO.	DWG NO.	REV
			AGSP2	
	SCALE	DRAWN BY: T.YU CHECKED BY: COLIN GLASS	SHEET	8



REVISIONS

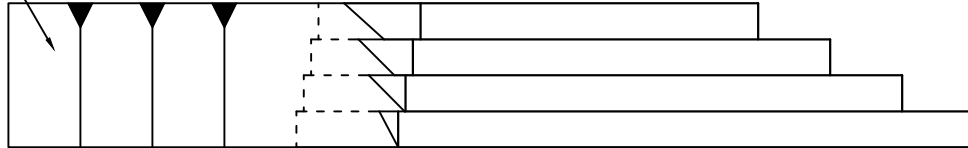
ZONE	REV	DESCRIPTION	DATE	APPROVED
------	-----	-------------	------	----------

SLOPE PROTECTION  
CAN BE GABION  
MATTRESS



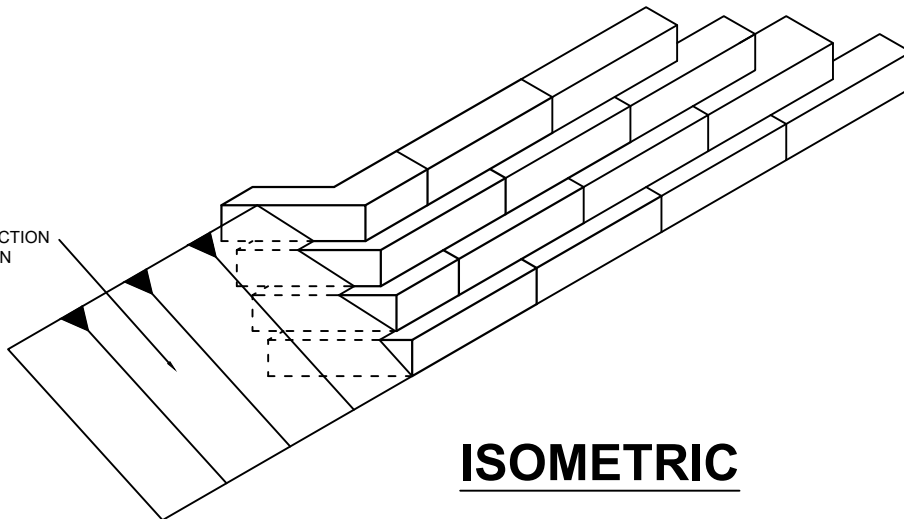
**PLAN**

SLOPE PROTECTION  
CAN BE GABION  
MATTRESS



**ELEVATION**

SLOPE PROTECTION  
CAN BE GABION  
MATTRESS



**ISOMETRIC**

SD # E1 - GABION WALL END DETAIL (ANGULAR)

Alliance Geotechnical Solutions, LLC  
Phone: 918-645-2963  
Email: [alliancegsolutions@gmail.com](mailto:alliancegsolutions@gmail.com)

SIZE	FSCM NO.	DWG NO.	REV
		AGSE1	

SCALE

DRAWN BY: T.YU  
CHECKED BY: COLIN GLASS

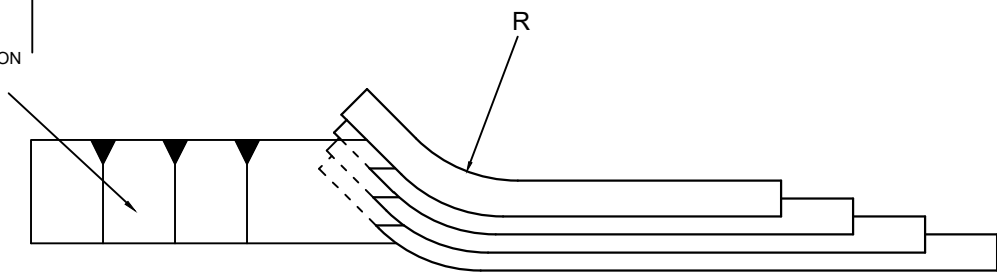
SHEET 11





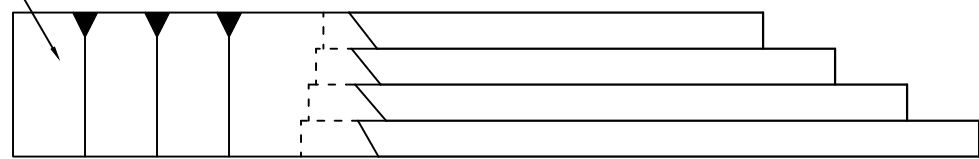
REVISIONS				
ZONE	REV	DESCRIPTION	DATE	APPROVED

SLOPE PROTECTION  
CAN BE GABION  
MATTRESS



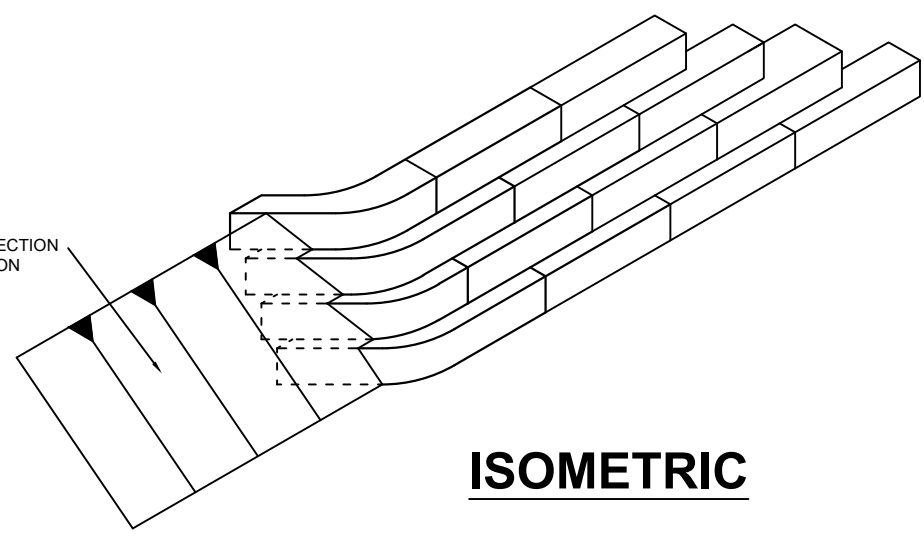
## PLAN

SLOPE PROTECTION  
CAN BE GABION  
MATTRESS



## ELEVATION

SLOPE PROTECTION  
CAN BE GABION  
MATTRESS



## ISOMETRIC

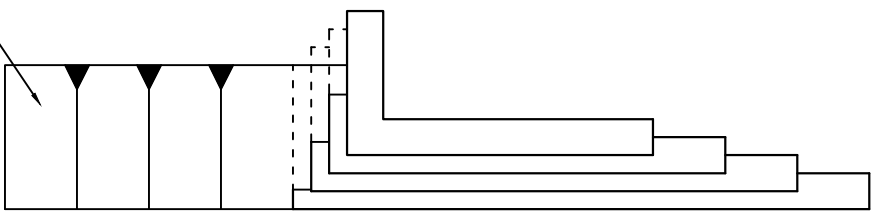
	SD # E2 - GABION WALL END DETAIL (RADIUS)			
	Alliance Geotechnical Solutions, LLC Phone: 918-645-2963 Email: alliancegsolutions@gmail.com			
	SIZE	FSCM NO.	DWG NO. AGSE2	REV
	SCALE	DRAWN BY: T.YU CHECKED BY: COLIN GLASS	SHEET 12	





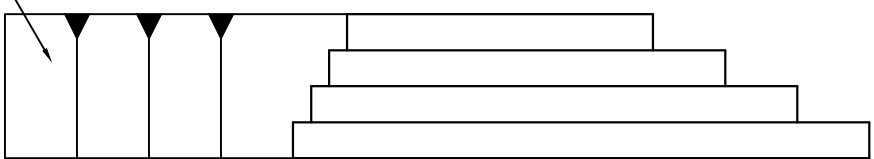
REVISIONS				
ZONE	REV	DESCRIPTION	DATE	APPROVED

SLOPE PROTECTION  
CAN BE GABION  
MATTRESS



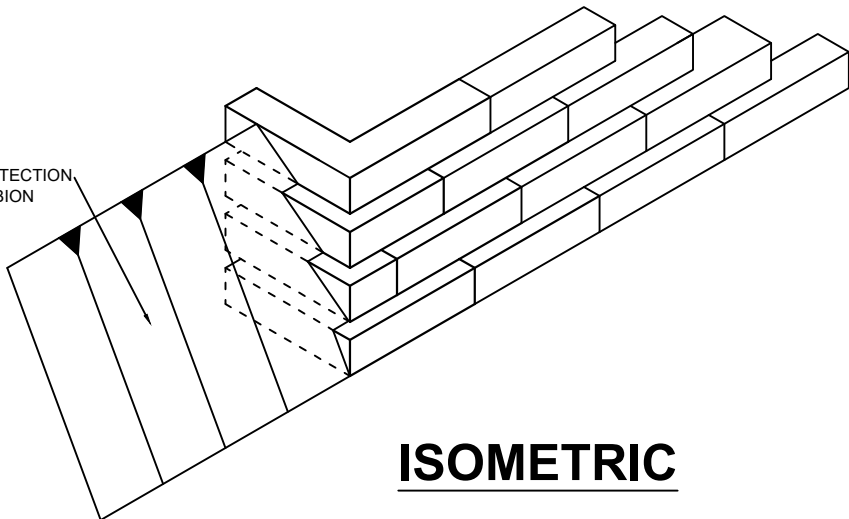
**PLAN**

SLOPE PROTECTION  
CAN BE GABION  
MATTRESS



**ELEVATION**

SLOPE PROTECTION  
CAN BE GABION  
MATTRESS



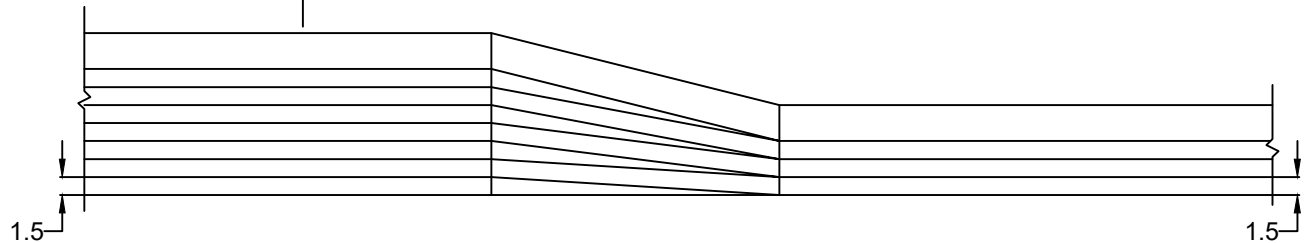
**ISOMETRIC**

	SD # E3 - GABION WALL END DETAIL (90 °) (STEPPED)			
	Alliance Geotechnical Solutions, LLC Phone: 918-645-2963 Email: alliancegsolutions@gmail.com			
	SIZE	FSCM NO.	DWG NO. AGSE3	REV
	SCALE	DRAWN BY: T.YU CHECKED BY: COLIN GLASS		SHEET 13

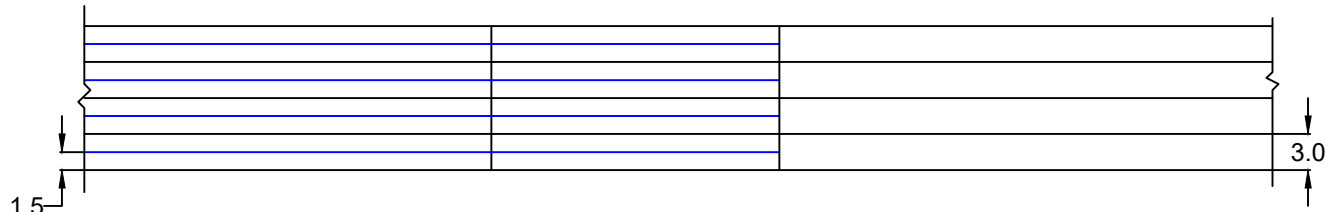




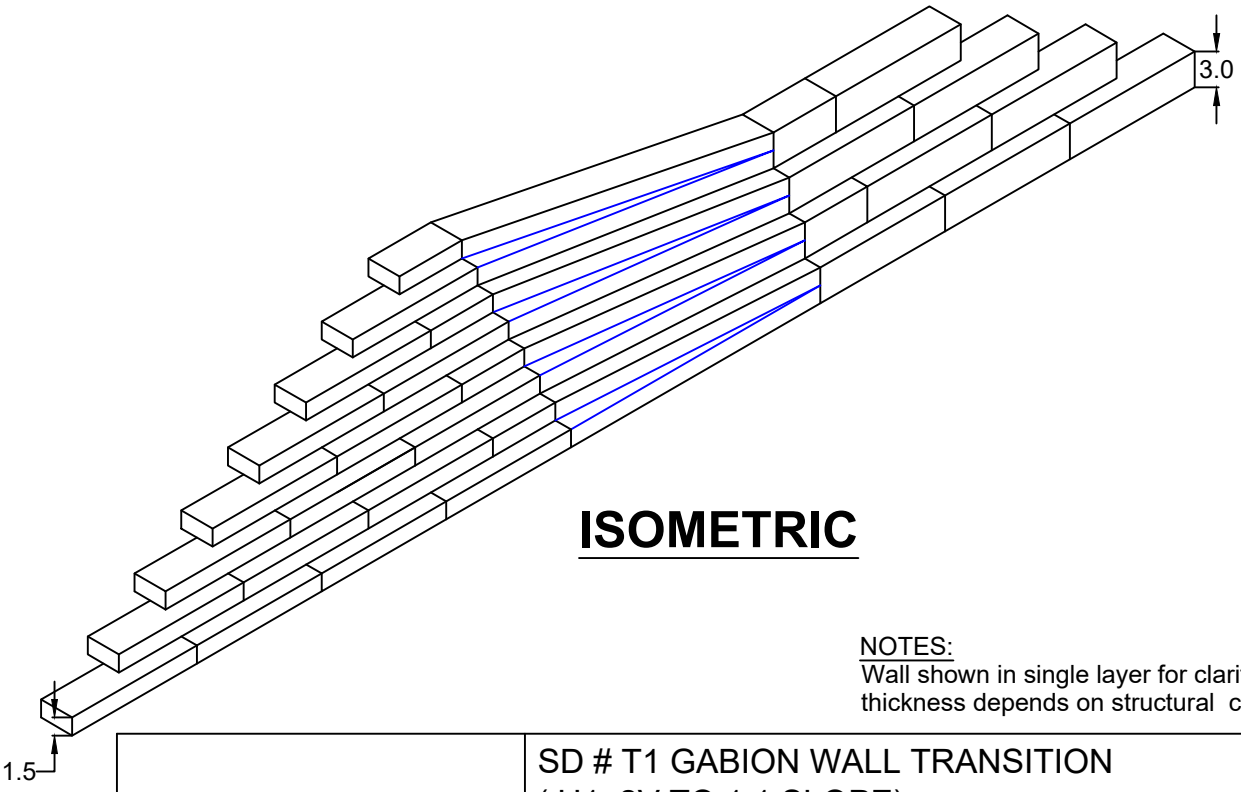
REVISIONS				
ZONE	REV	DESCRIPTION	DATE	APPROVED



**PLAN**



**ELEVATION**



**ISOMETRIC**

**NOTES:**  
 Wall shown in single layer for clarity. Wall thickness depends on structural calculations.

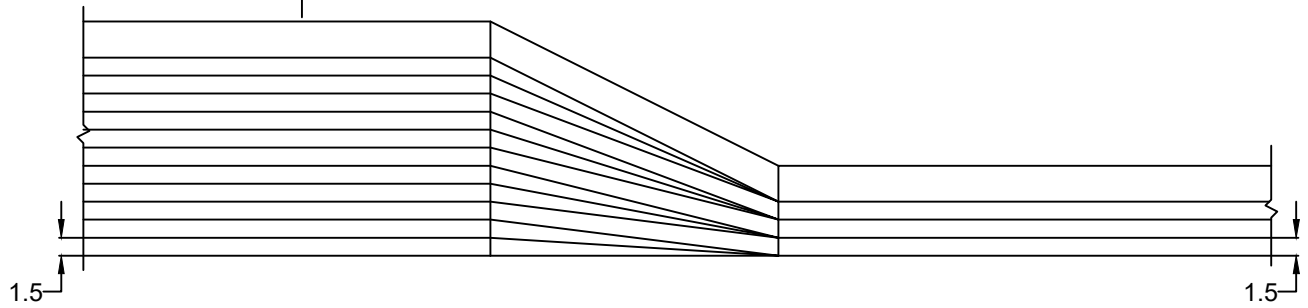
	SD # T1 GABION WALL TRANSITION ( H1: 2V TO 1:1 SLOPE)			
	Alliance Geotechnical Solutions, LLC Phone: 918-645-2963 Email: alliancegsolutions@gmail.com			
	SIZE	FSCM NO.	DWG NO.	REV
			AGST1	
	SCALE	DRAWN BY: T.YU CHECKED BY: COLIN GLASS		SHEET 14



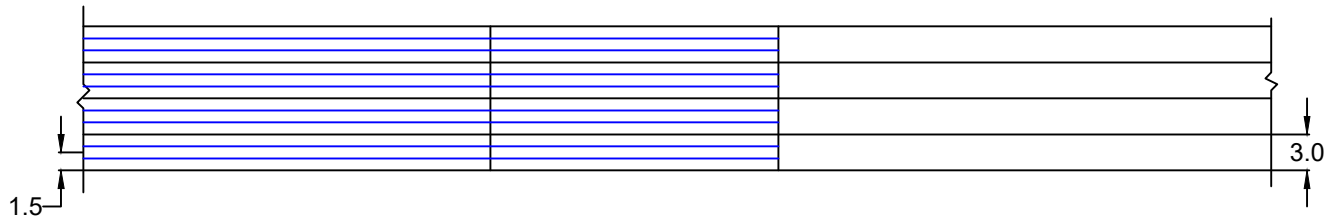




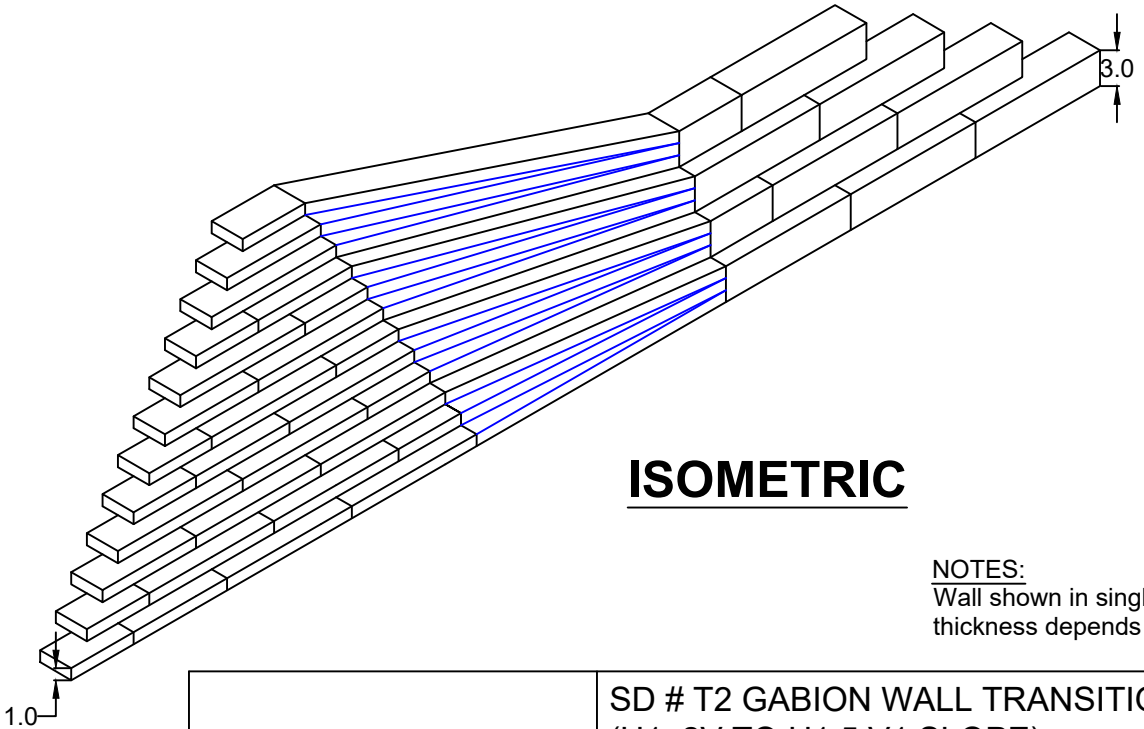
REVISIONS				
ZONE	REV	DESCRIPTION	DATE	APPROVED



**PLAN**



**ELEVATION**



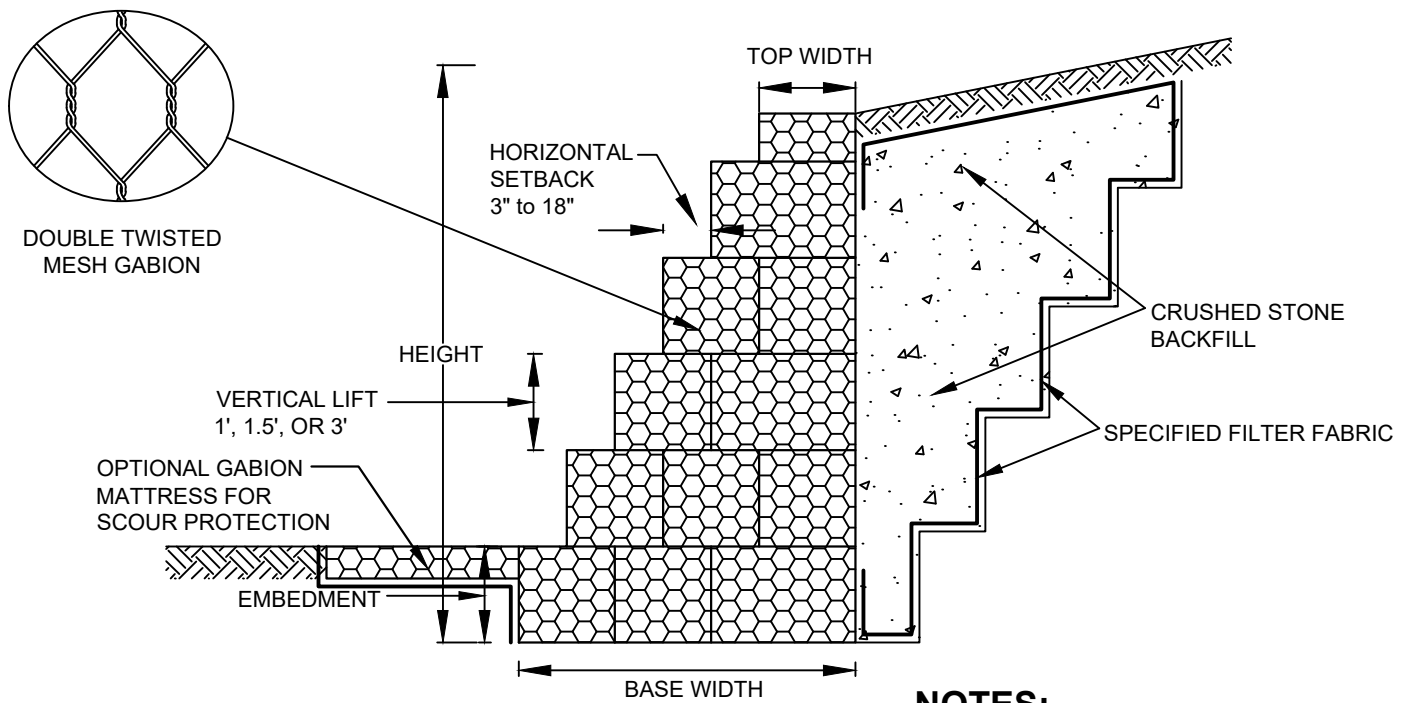
**ISOMETRIC**

**NOTES:**  
Wall shown in single layer for clarity. Wall thickness depends on structural calculations.

	SD # T2 GABION WALL TRANSITION (H1: 2V TO H1.5:V1 SLOPE)			
	Alliance Geotechnical Solutions, LLC Phone: 918-645-2963 Email: alliancegsolutions@gmail.com			
	SIZE	FSCM NO.	DWG NO. <b>AGST2</b>	REV
	SCALE	DRAWN BY: T.YU CHECKED BY: COLIN GLASS		SHEET <b>15</b>



REVISIONS				
ZONE	REV	DESCRIPTION	DATE	APPROVED



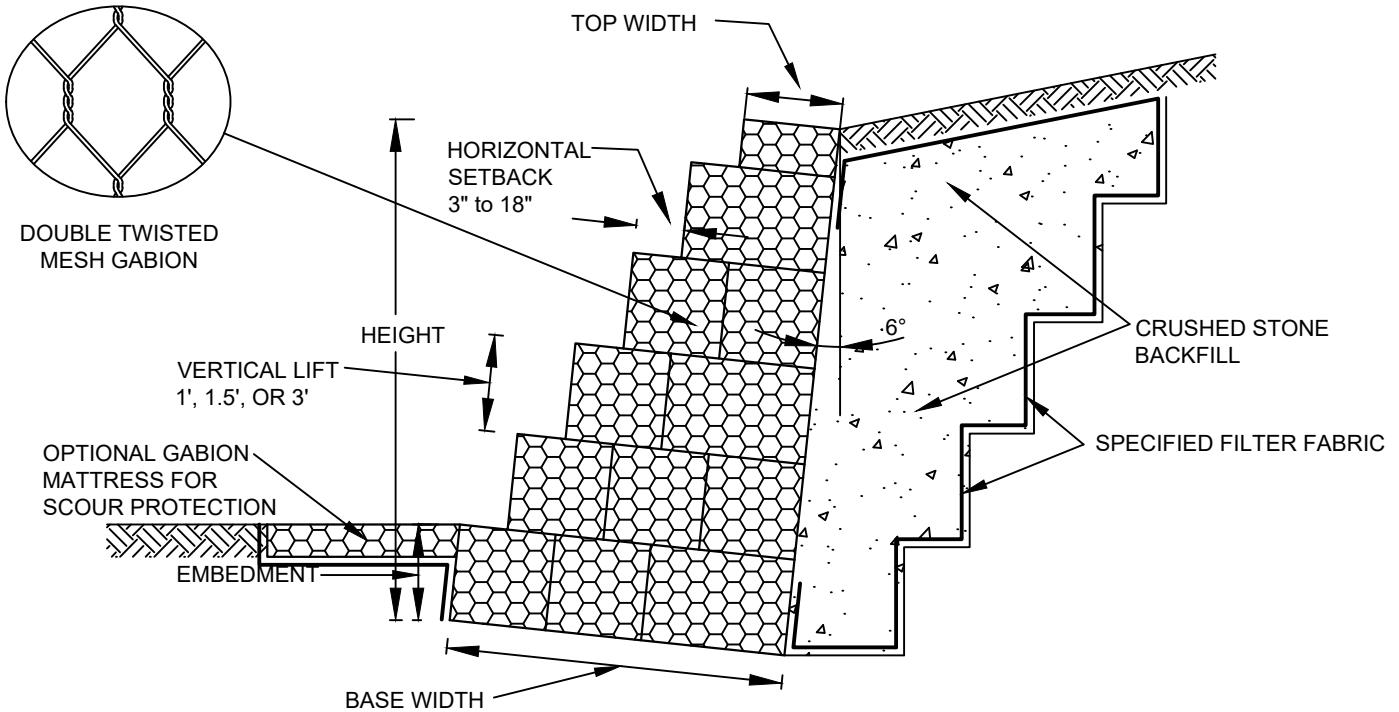
## SECTION

### NOTES:

1. Crushed stone backfill reduce hydrostatic pressure differential during rapid drawdown.

		SD # GW 1 - GABION GRAVITY WALL (VERTICAL) (STEPPED FRONT FACE) (FREE DRAINING BACKFILL)			
		Alliance Geotechnical Solutions, LLC Phone: 918-645-2963 Email: <a href="mailto:alliancegsolutions@gmail.com">alliancegsolutions@gmail.com</a>			
		SIZE	FSCM NO.	DWG NO. <b>AGSGW1</b>	REV
		SCALE	DRAWN BY: T.YU CHECKED BY: COLIN GLASS	SHEET 16	

REVISIONS				
ZONE	REV	DESCRIPTION	DATE	APPROVED



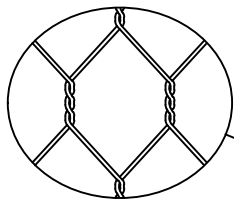
## SECTION

**NOTES:**

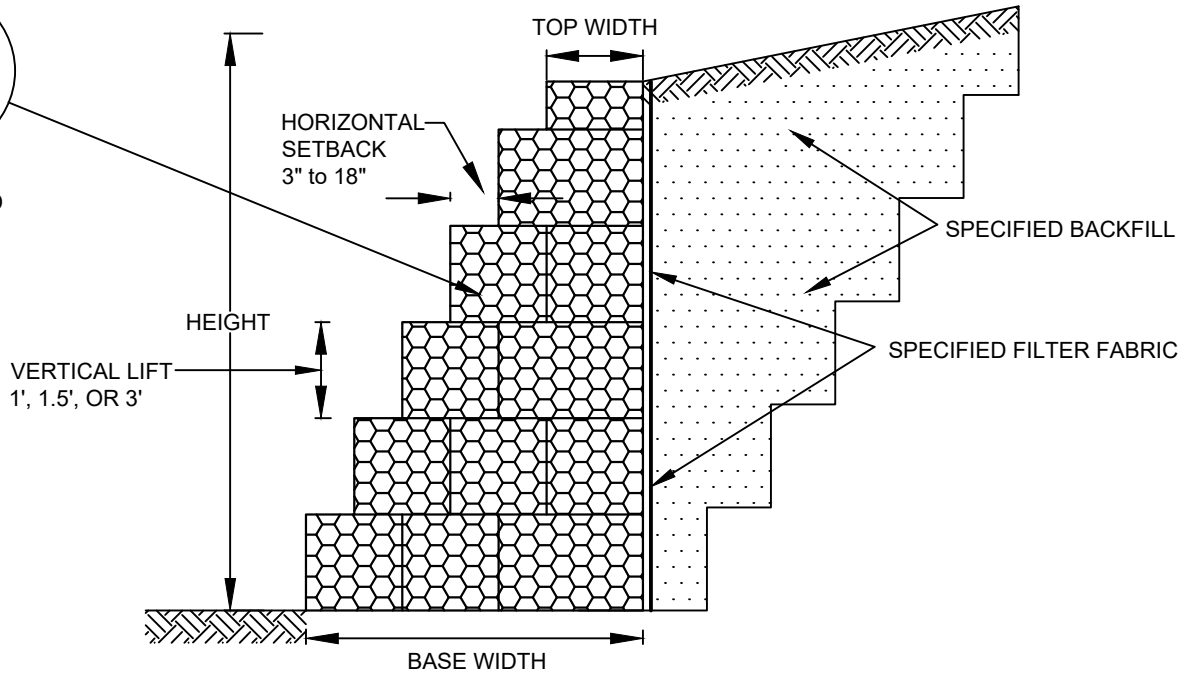
- Crushed stone backfill reduce hydrostatic pressure differential during rapid drawdown.

<p style="text-align: center;">SD # GW 2 - GABION GRAVITY WALL (INCLINED) (STEPPED FRONT FACE) (FREE DRAINING BACKFILL)</p> <p style="text-align: center;">Alliance Geotechnical Solutions, LLC Phone: 918-645-2963 Email: <a href="mailto:alliancegsolutions@gmail.com">alliancegsolutions@gmail.com</a></p>				
	SIZE	FSCM NO.	DWG NO.	REV
			AGSGW2	
	SCALE	DRAWN BY: T.YU CHECKED BY: COLIN GLASS		SHEET 17

REVISIONS				
ZONE	REV	DESCRIPTION	DATE	APPROVED



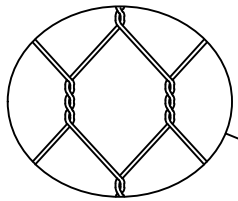
DOUBLE TWISTED MESH GABION



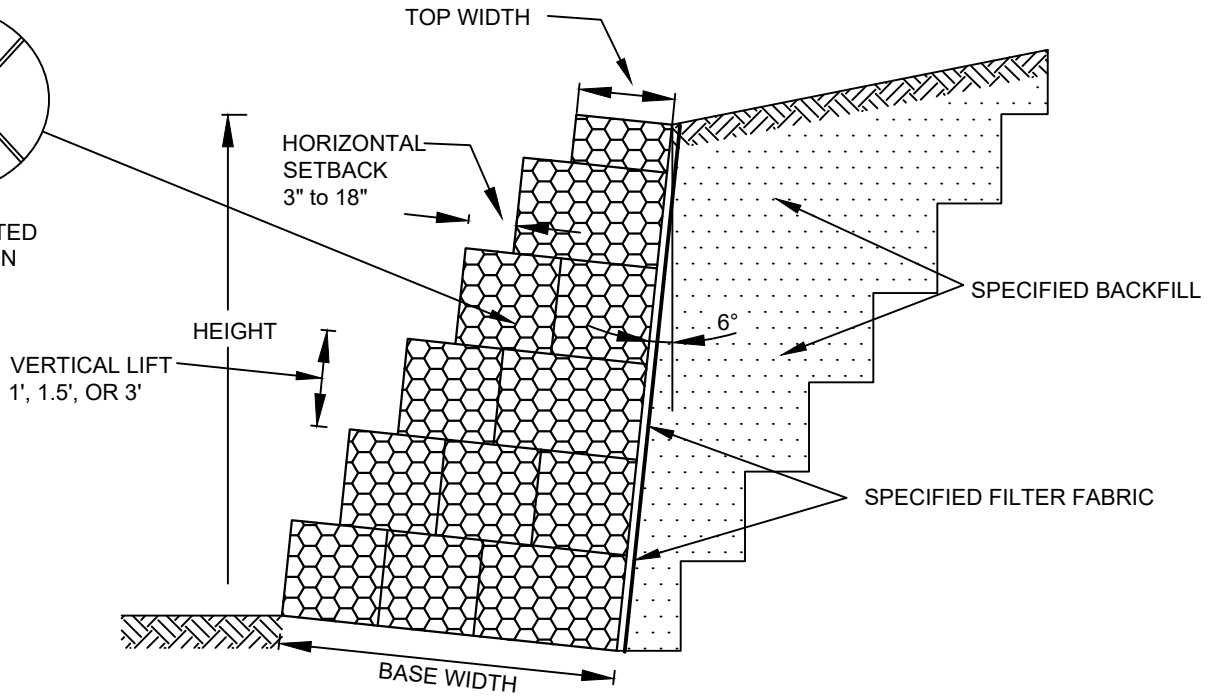
## SECTION

	SD # GW 3 - GABION GRAVITY WALL (VERTICAL) (STEPPED FRONT FACE) (SPECIFIED BACKFILL)			
	Alliance Geotechnical Solutions, LLC Phone: 918-645-2963 Email: <a href="mailto:alliancegsolutions@gmail.com">alliancegsolutions@gmail.com</a>			
	SIZE	FSCM NO.	DWG NO. <b>AGSGW3</b>	REV
	SCALE		DRAWN BY: T.YU CHECKED BY: COLIN GLASS	<b>SHEET18</b>

REVISIONS				
ZONE	REV	DESCRIPTION	DATE	APPROVED



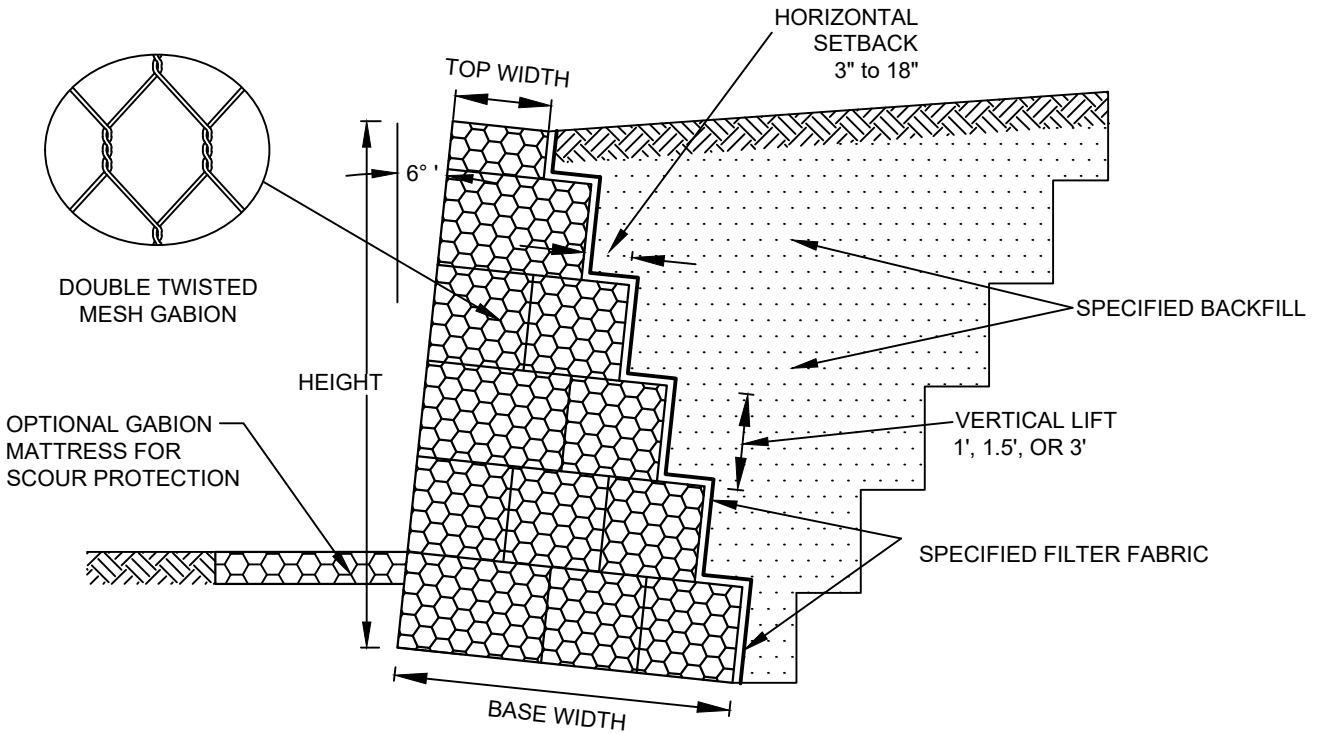
DOUBLE TWISTED MESH GABION



## SECTION

	SD # GW 4 - GABION GRAVITY WALL (INCLINED) (STEPPED FRONT FACE) (SPECIFIED BACKFILL)			
	Alliance Geotechnical Solutions, LLC Phone: 918-645-2963 Email: <a href="mailto:alliancegsolutions@gmail.com">alliancegsolutions@gmail.com</a>			
	SIZE	FSCM NO.	DWG NO. <b>AGSGW4</b>	REV
	SCALE	DRAWN BY: T.YU CHECKED BY: COLIN GLASS		SHEET 19

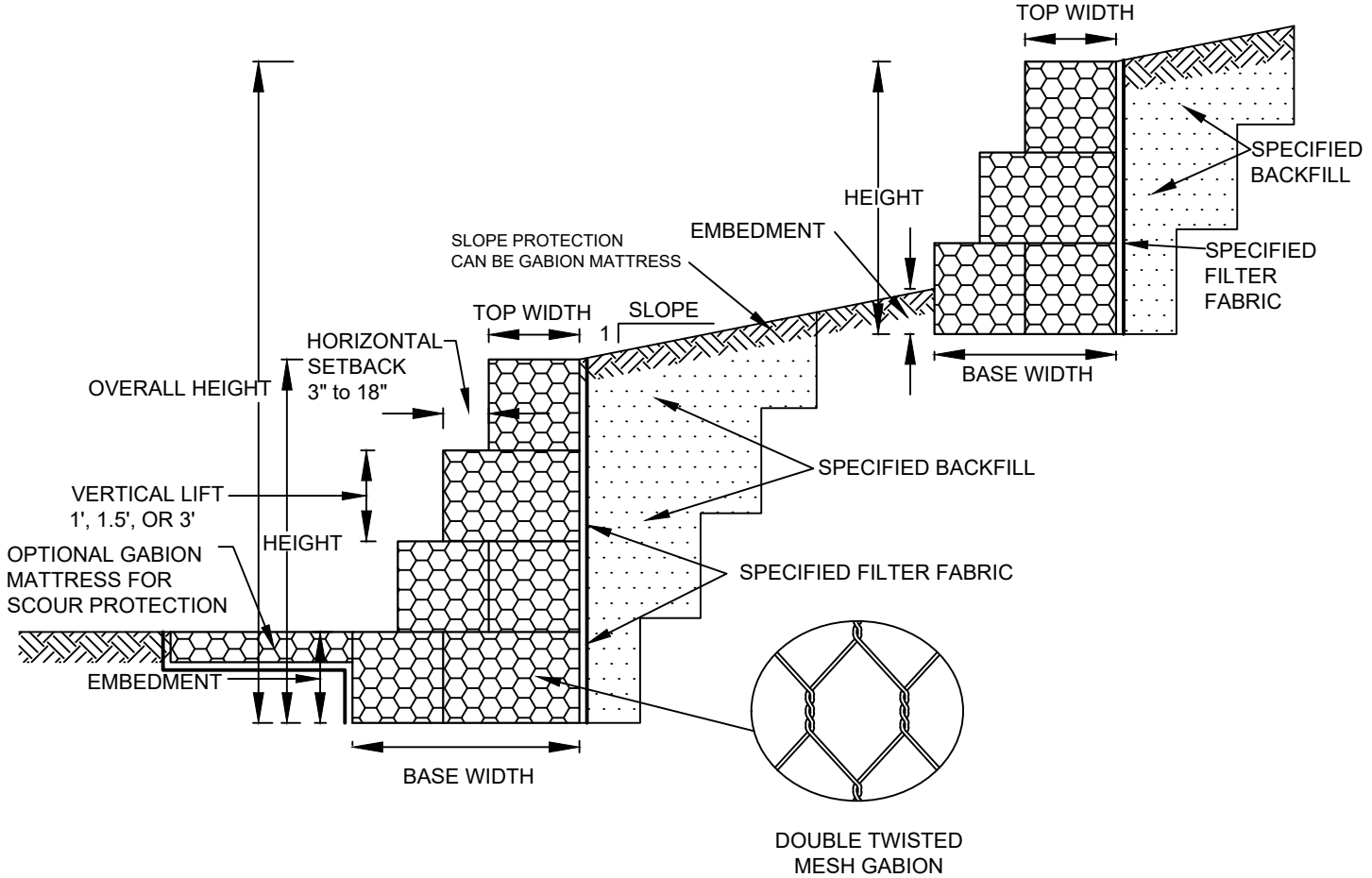
REVISIONS				
ZONE	REV	DESCRIPTION	DATE	APPROVED



**SECTION**

	SD # GW 5 - GABION GRAVITY WALL (INCLINED) (SMOOTH FRONT FACE) (SPECIFIED BACKFILL)			
	Alliance Geotechnical Solutions, LLC Phone: 918-645-2963 Email: <a href="mailto:alliancegsolutions@gmail.com">alliancegsolutions@gmail.com</a>			
	SIZE	FSCM NO.	DWG NO. <b>AGSGW5</b>	REV
	SCALE	DRAWN BY: T.YU CHECKED BY: COLIN GLASS	SHEET <b>20</b>	

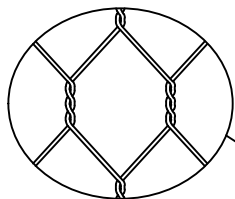
REVISIONS				
ZONE	REV	DESCRIPTION	DATE	APPROVED



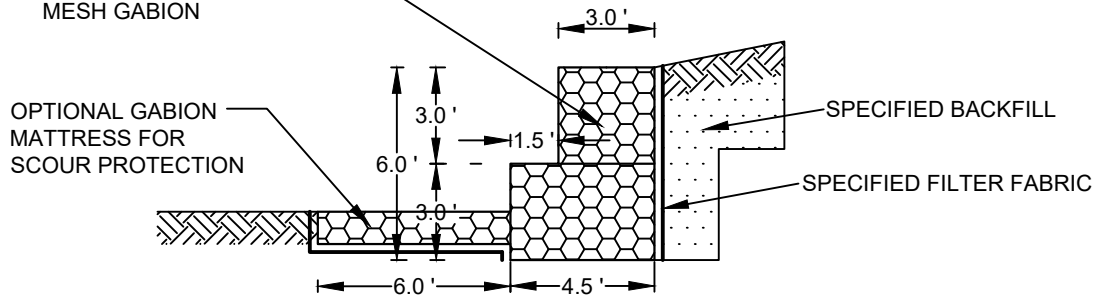
## SECTION

	SD # GW 6 - GABION GRAVITY WALL (TIERED)			
	Alliance Geotechnical Solutions, LLC Phone: 918-645-2963 Email: <a href="mailto:alliancegsolutions@gmail.com">alliancegsolutions@gmail.com</a>			
	SIZE	FSCM NO.	DWG NO. AGSGW6	REV
	SCALE		DRAWN BY: T.YU CHECKED BY: COLIN GLASS	SHEET 21

REVISIONS				
ZONE	REV	DESCRIPTION	DATE	APPROVED



DOUBLE TWISTED MESH GABION

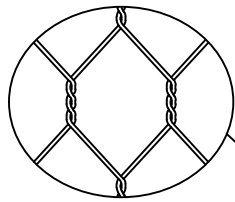


## SECTION

	SD # GW 7A - GABION GRAVITY WALL (6 FT.) (VERTICAL) (STEPPED FRONT FACE) (SPECIFIED BACKFILL)			
	Alliance Geotechnical Solutions, LLC Phone: 918-645-2963 Email: <a href="mailto:alliancegsolutions@gmail.com">alliancegsolutions@gmail.com</a>			
	SIZE	FSCM NO.	DWG NO. <b>AGSGW7A</b>	REV
	SCALE	DRAWN BY: T.YU CHECKED BY: COLIN GLASS	SHEET <b>22</b>	

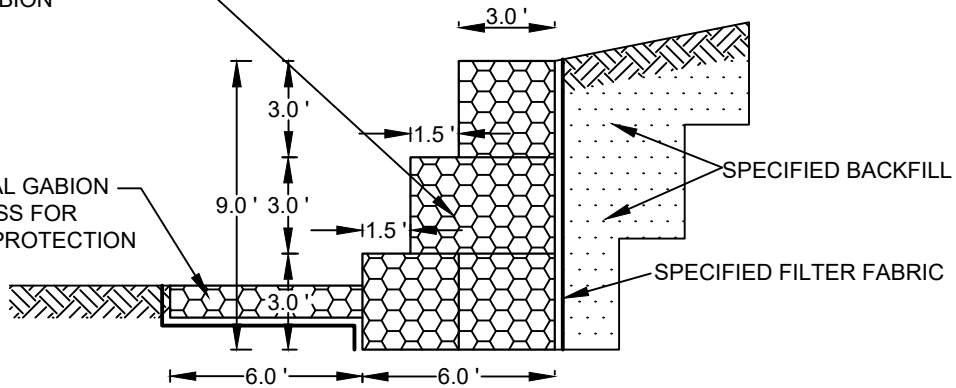


REVISIONS				
ZONE	REV	DESCRIPTION	DATE	APPROVED



DOUBLE TWISTED MESH GABION

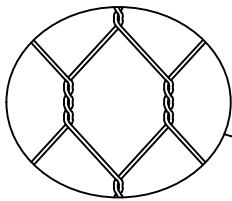
OPTIONAL GABION MATTRESS FOR SCOUR PROTECTION



## SECTION

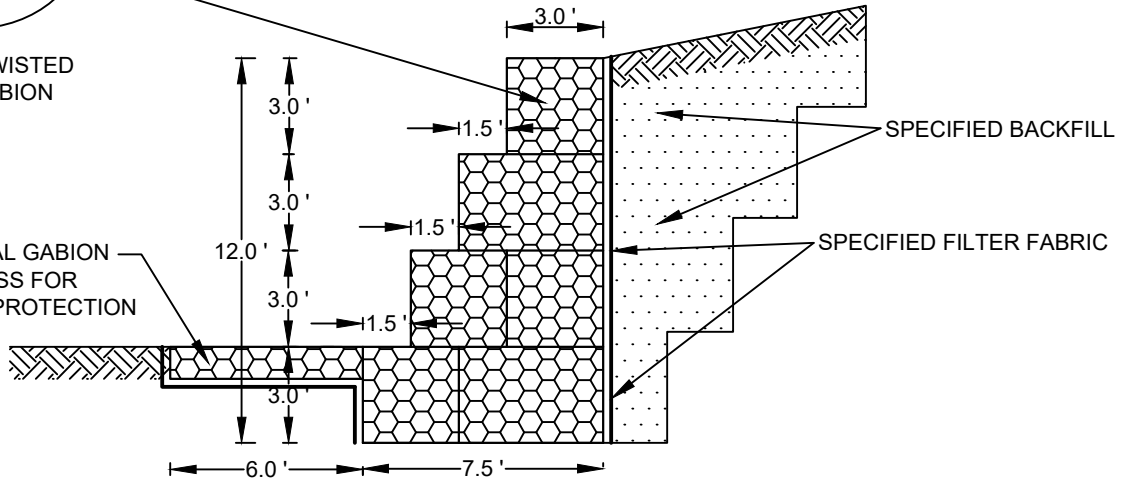
	SD # GW 7B - GABION GRAVITY WALL (9 FT.) (VERTICAL) (STEPPED FRONT FACE) (SPECIFIED BACKFILL)			
	Alliance Geotechnical Solutions, LLC Phone: 918-645-2963 Email: <a href="mailto:alliancegsolutions@gmail.com">alliancegsolutions@gmail.com</a>			
	SIZE	FSCM NO.	DWG NO. <b>AGSGW7B</b>	REV
	SCALE	DRAWN BY: T.YU CHECKED BY: COLIN GLASS	SHEET <b>23</b>	

REVISIONS				
ZONE	REV	DESCRIPTION	DATE	APPROVED



DOUBLE TWISTED MESH GABION

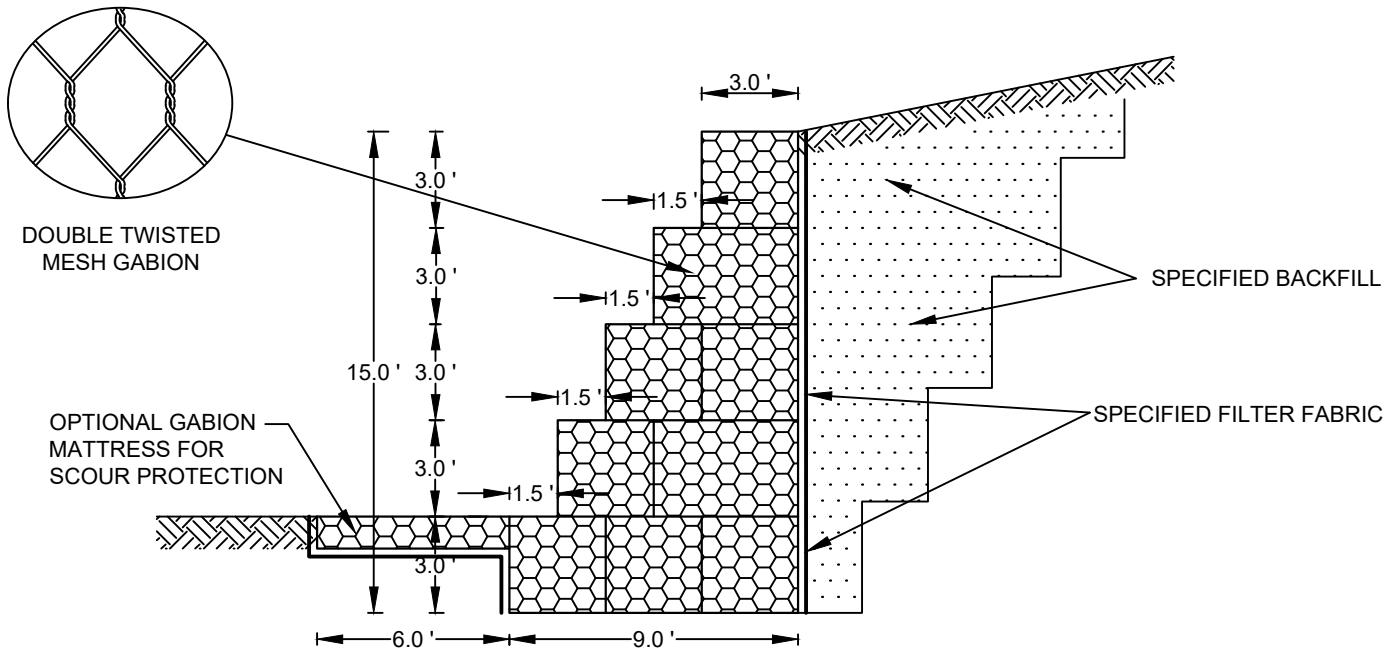
OPTIONAL GABION MATTRESS FOR SCOUR PROTECTION



## SECTION

	SD # GW 7C - GABION GRAVITY WALL (12 FT.) (VERTICAL) (STEPPED FRONT FACE) (SPECIFIED BACKFILL)			
	Alliance Geotechnical Solutions, LLC Phone: 918-645-2963 Email: <a href="mailto:alliancegsolutions@gmail.com">alliancegsolutions@gmail.com</a>			
	SIZE	FSCM NO.	DWG NO. <b>AGSGW7C</b>	REV
	SCALE	DRAWN BY: T.YU CHECKED BY: COLIN GLASS	SHEET <b>24</b>	

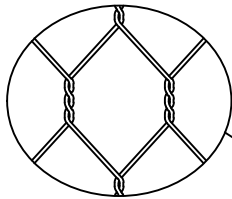
REVISIONS				
ZONE	REV	DESCRIPTION	DATE	APPROVED



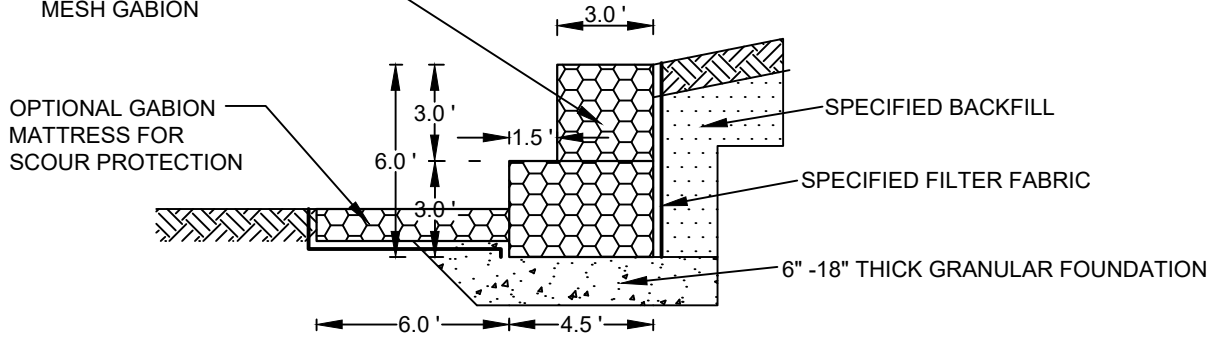
## SECTION

	SD # GW 7D - GABION GRAVITY WALL (15 FT.) (VERTICAL) (STEPPED FRONT FACE) (SPECIFIED BACKFILL)			
	Alliance Geotechnical Solutions, LLC Phone: 918-645-2963 Email: <a href="mailto:alliancegsolutions@gmail.com">alliancegsolutions@gmail.com</a>			
	SIZE	FSCM NO.	DWG NO. <b>AGSGW7D</b>	REV
	SCALE	DRAWN BY: T.YU CHECKED BY: COLIN GLASS	SHEET <b>25</b>	

REVISIONS				
ZONE	REV	DESCRIPTION	DATE	APPROVED



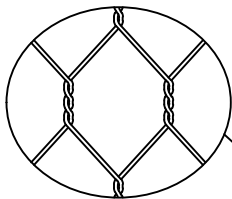
DOUBLE TWISTED MESH GABION



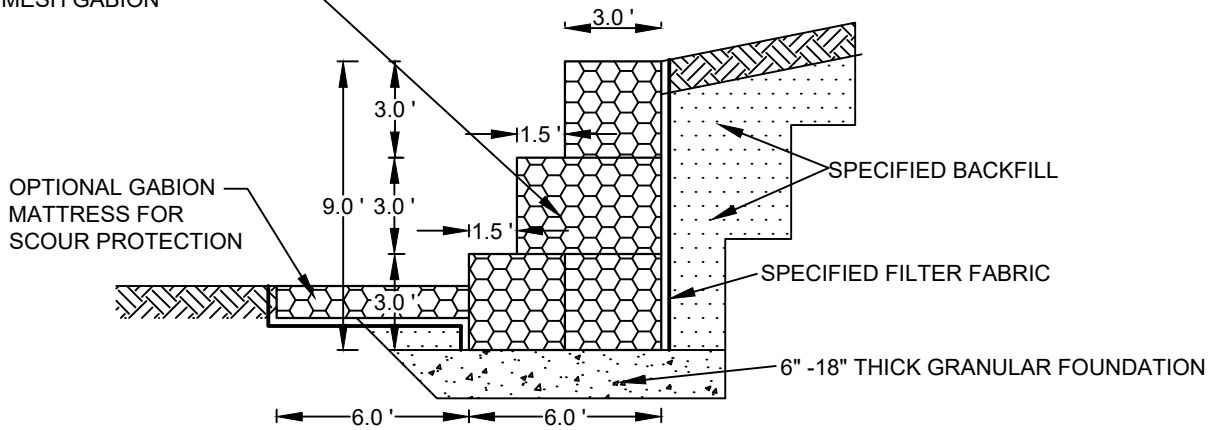
## SECTION

		SD # GW 8A - GABION GRAVITY WALL (6 FT.) (VERTICAL) (STEPPED FRONT FACE) (GRANULAR FOUNDATION)		
		Alliance Geotechnical Solutions, LLC Phone: 918-645-2963 Email: <a href="mailto:alliancegsolutions@gmail.com">alliancegsolutions@gmail.com</a>		
	SIZE	FSCM NO.	DWG NO. <b>AGSGW8A</b>	REV
	SCALE	DRAWN BY: T.YU CHECKED BY: COLIN GLASS		SHEET <b>26</b>

REVISIONS				
ZONE	REV	DESCRIPTION	DATE	APPROVED



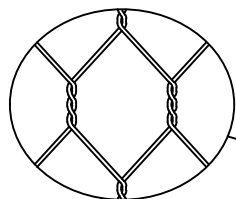
DOUBLE TWISTED MESH GABION



## SECTION

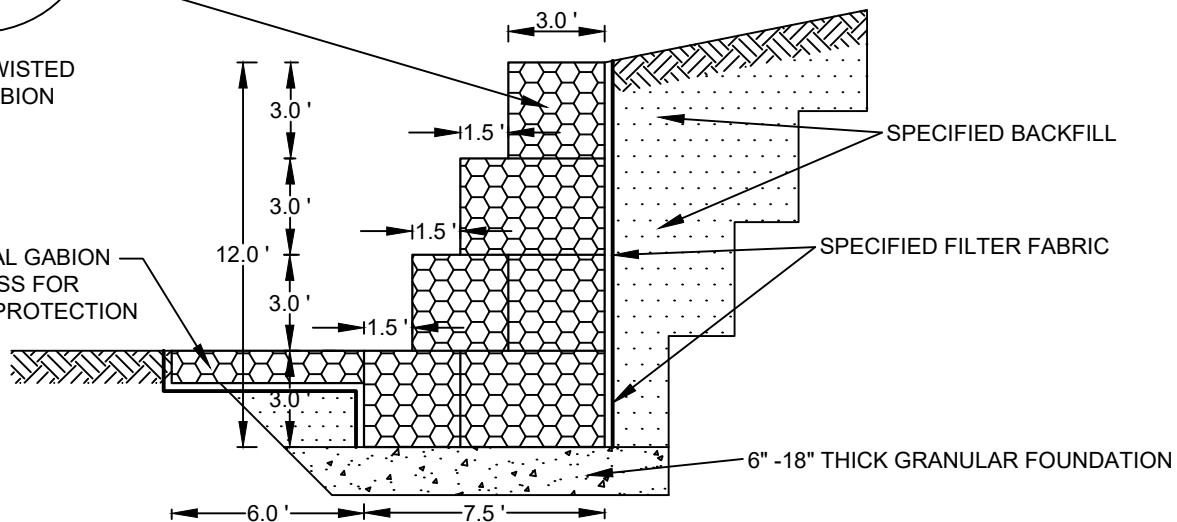
		SD # GW 8B - GABION GRAVITY WALL (9 FT.) (VERTICAL) (STEPPED FRONT FACE) (GRANULAR FOUNDATION)		
		Alliance Geotechnical Solutions, LLC Phone: 918-645-2963 Email: alliancegsolutions@gmail.com		
	SIZE	FSCM NO.	DWG NO. <b>AGSGW8B</b>	REV
	SCALE	DRAWN BY: T.YU CHECKED BY: COLIN GLASS		SHEET <b>27</b>

REVISIONS				
ZONE	REV	DESCRIPTION	DATE	APPROVED



DOUBLE TWISTED MESH GABION

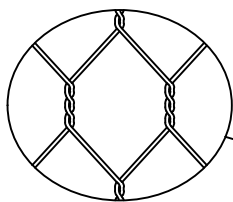
OPTIONAL GABION MATTRESS FOR SCOUR PROTECTION



**SECTION**

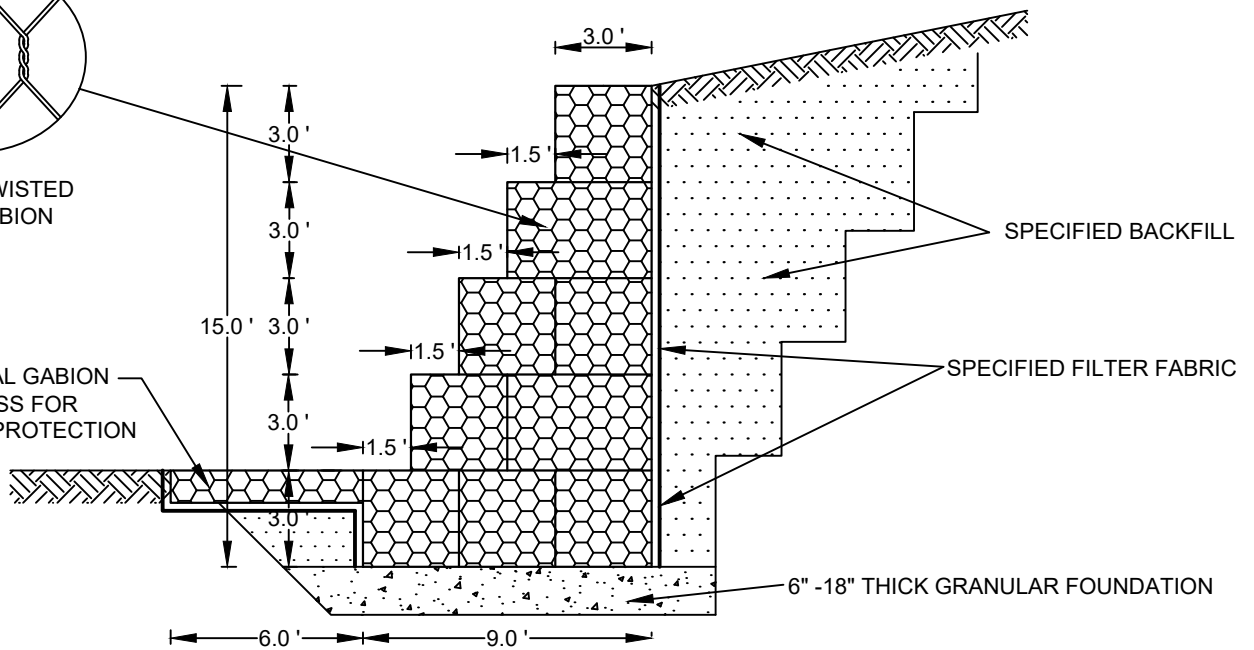
	SD # GW 8C - GABION GRAVITY WALL (12 FT.) (VERTICAL) (STEPPED FRONT FACE) (GRANULAR FOUNDATION)			
	Alliance Geotechnical Solutions, LLC Phone: 918-645-2963 Email: alliancegsolutions@gmail.com			
	SIZE	FSCM NO.	DWG NO. <b>AGSGW8C</b>	REV
	SCALE	DRAWN BY: T.YU CHECKED BY: COLIN GLASS	SHEET <b>28</b>	

REVISIONS				
ZONE	REV	DESCRIPTION	DATE	APPROVED



DOUBLE TWISTED MESH GABION

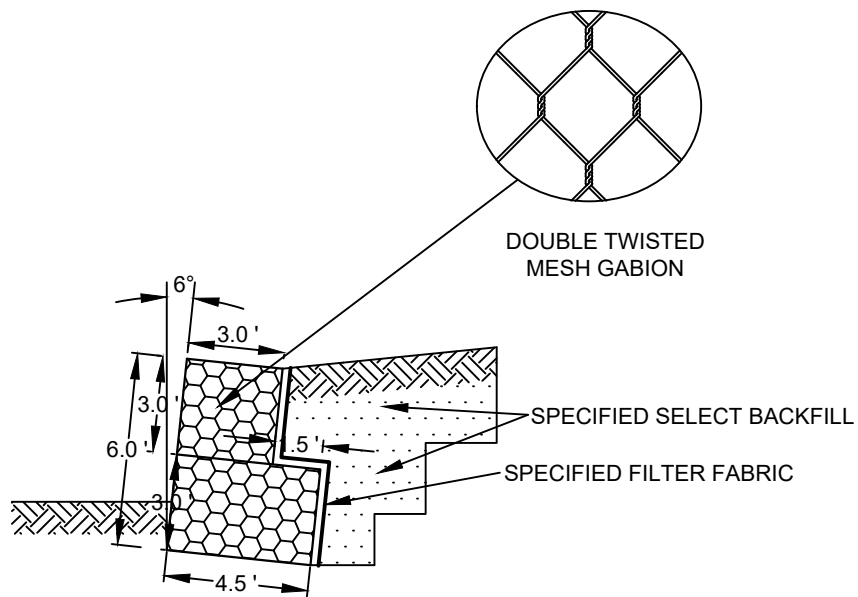
OPTIONAL GABION MATTRESS FOR SCOUR PROTECTION



## SECTION

		SD # GW 8D - GABION GRAVITY WALL (15 FT.) (VERTICAL) (STEPPED FRONT FACE) (GRANULAR FOUNDATION)		
		Alliance Geotechnical Solutions, LLC Phone: 918-645-2963 Email: <a href="mailto:alliancegsolutions@gmail.com">alliancegsolutions@gmail.com</a>		
	SIZE	FSCM NO.	DWG NO. <b>AGSGW8D</b>	REV
	SCALE	DRAWN BY: T.YU CHECKED BY: COLIN GLASS	SHEET <b>29</b>	

REVISIONS				
ZONE	REV	DESCRIPTION	DATE	APPROVED

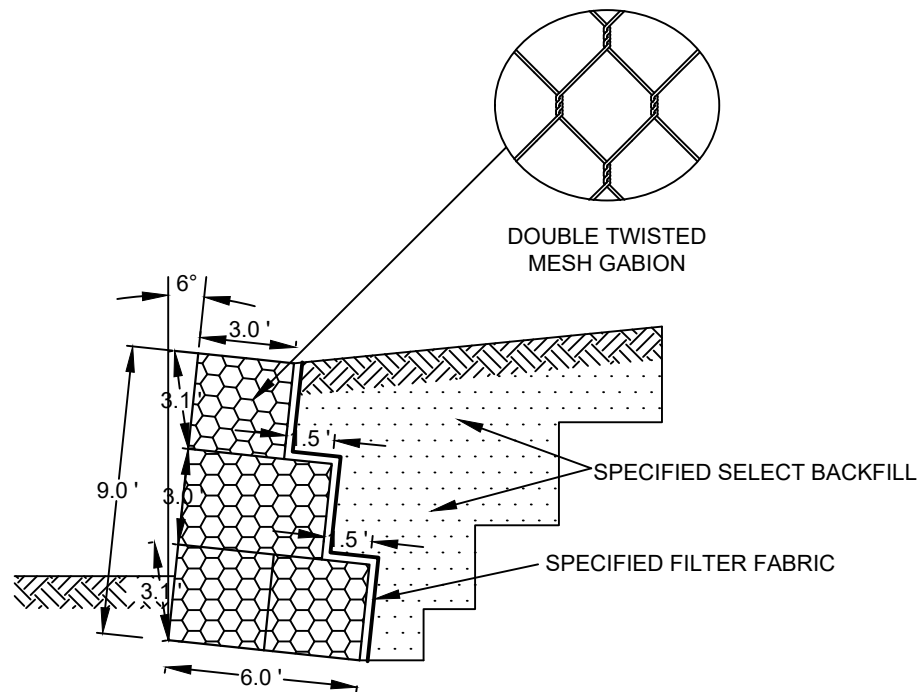


## SECTION

	SD # GW 9A - GABION GRAVITY WALL (6 FT.) (INCLINED) (SMOOTH FRONT FACE) (SPECIFIED BACKFILL)			
	Alliance Geotechnical Solutions, LLC Phone: 918-645-2963 Email: <a href="mailto:alliancegsolutions@gmail.com">alliancegsolutions@gmail.com</a>			
	SIZE	FSCM NO.	DWG NO. <b>AGSGW9A</b>	REV
	SCALE	DRAWN BY: T.YU CHECKED BY: COLIN GLASS	SHEET <b>30</b>	



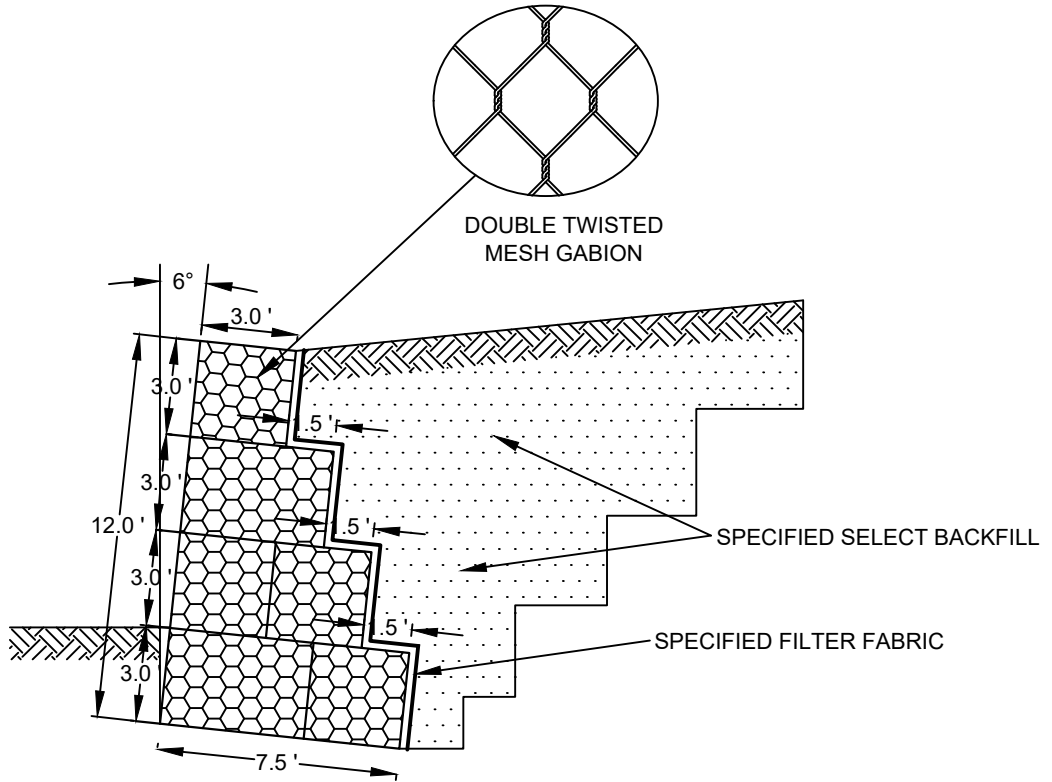
REVISIONS				
ZONE	REV	DESCRIPTION	DATE	APPROVED



## SECTION

SD # GW 9B - GABION GRAVITY WALL (9 FT.) (INCLINED) (SMOOTH FRONT FACE) (SPECIFIED BACKFILL)				
Alliance Geotechnical Solutions, LLC Phone: 918-645-2963 Email: <a href="mailto:alliancegsolutions@gmail.com">alliancegsolutions@gmail.com</a>				
SIZE	FSCM NO.	DWG NO.	AGSGW9B	REV
SCALE	DRAWN BY: T.YU CHECKED BY: COLIN GLASS		SHEET 31	

REVISIONS				
ZONE	REV	DESCRIPTION	DATE	APPROVED

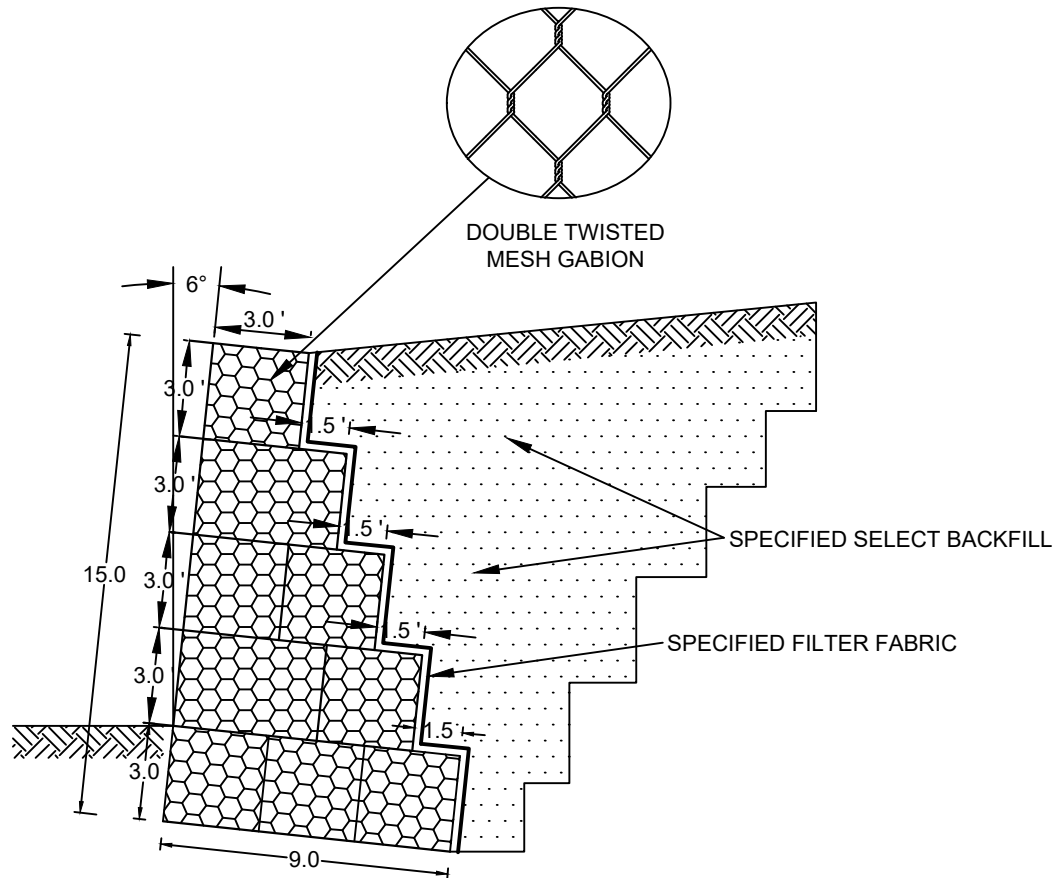


## SECTION

SD # GW 9C - GABION GRAVITY WALL (12 FT.) (INCLINED) (SMOOTH FRONT FACE) (SPECIFIED BACKFILL)				
Alliance Geotechnical Solutions, LLC Phone: 918-645-2963 Email: <a href="mailto:alliancegsolutions@gmail.com">alliancegsolutions@gmail.com</a>				
	SIZE	FSCM NO.	DWG NO. <b>AGSGW9C</b>	REV
	SCALE	DRAWN BY: T.YU CHECKED BY: COLIN GLASS	SHEET <b>32</b>	

REVISIONS

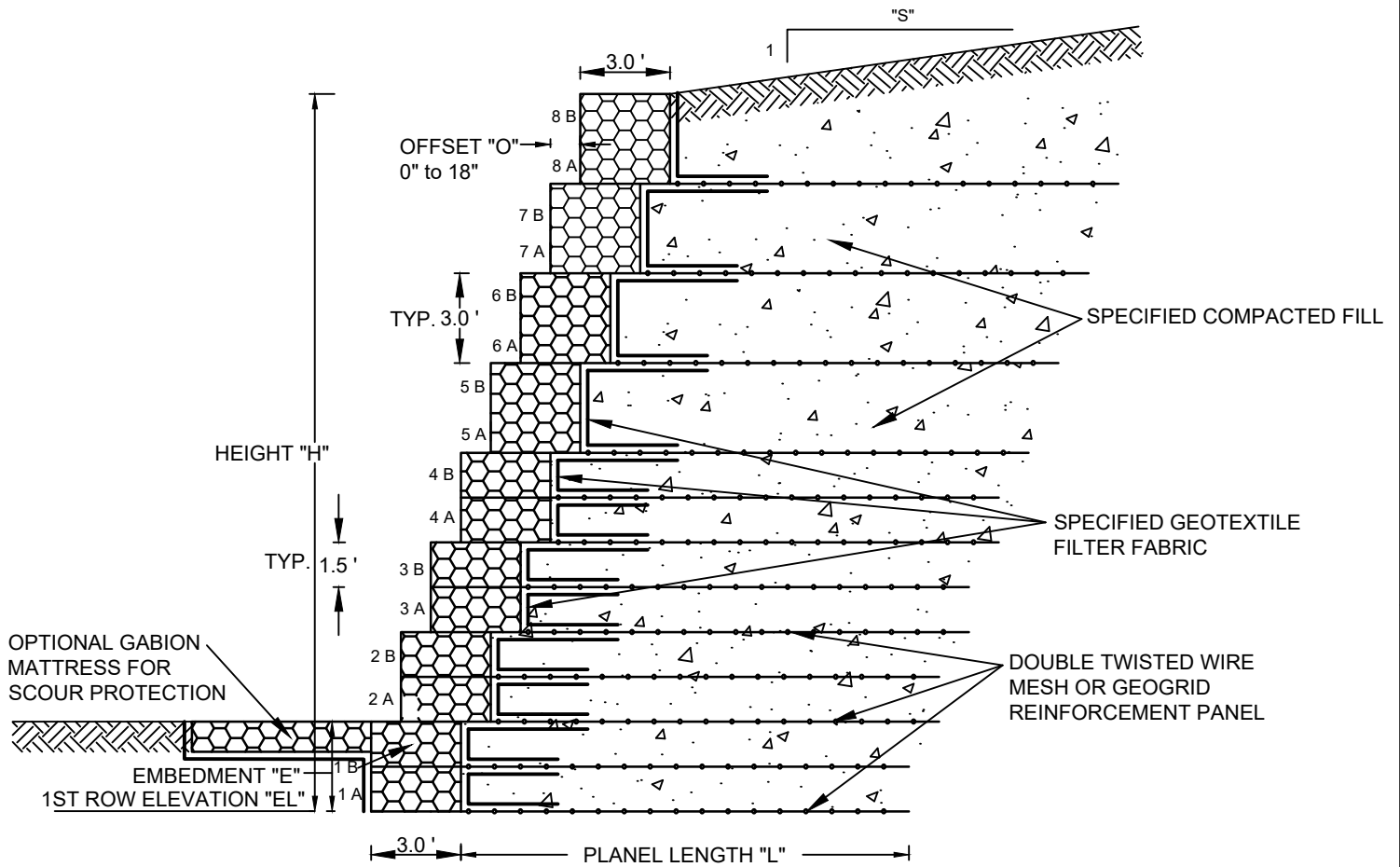
ZONE	REV	DESCRIPTION	DATE	APPROVED



**SECTION**

	SD # GW 9D - GABION GRAVITY WALL (15 FT.) (INCLINED) (SMOOTH FRONT FACE) (SPECIFIED BACKFILL)			
	Alliance Geotechnical Solutions, LLC Phone: 918-645-2963 Email: <a href="mailto:alliancegsolutions@gmail.com">alliancegsolutions@gmail.com</a>			
	SIZE	FSCM NO.	DWG NO. <b>AGSGW9D</b>	REV
	SCALE	DRAWN BY: T.YU CHECKED BY: COLIN GLASS	SHEET <b>33</b>	

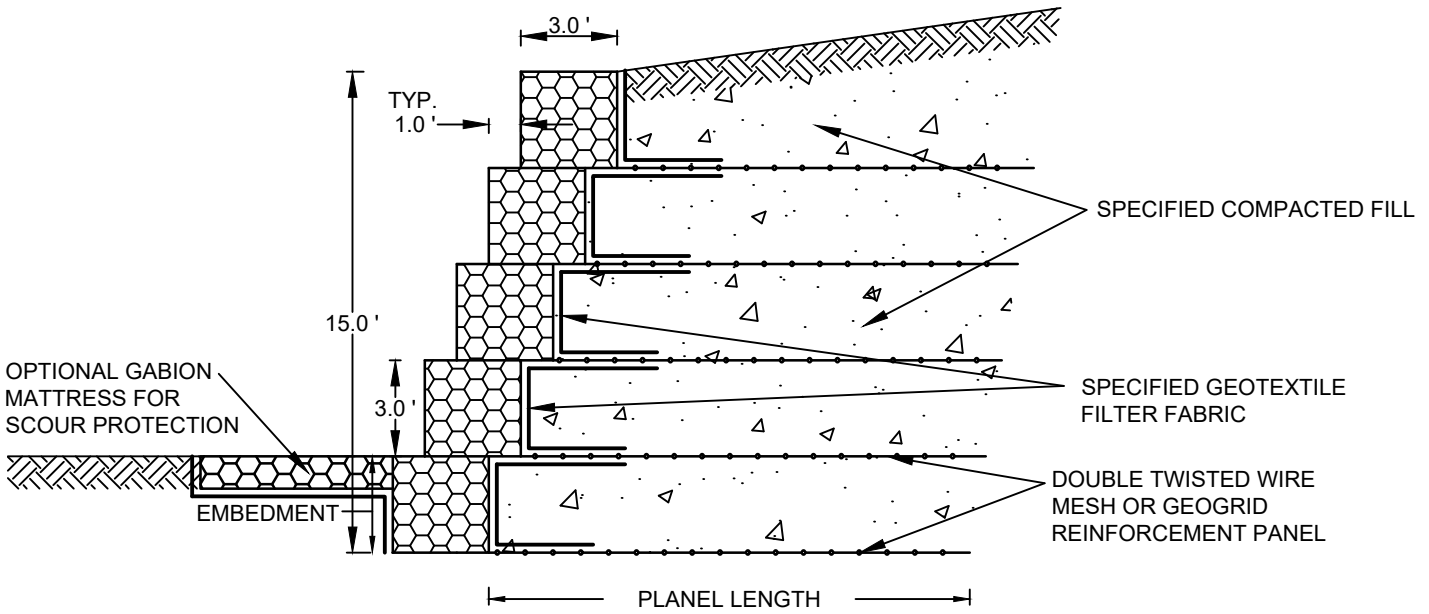
REVISIONS				
ZONE	REV	DESCRIPTION	DATE	APPROVED



## SECTION

SD # GRS 1 - GABION & REINFORCED SOIL- SECTION			
Alliance Geotechnical Solutions, LLC Phone: 918-645-2963 Email: <a href="mailto:alliancegsolutions@gmail.com">alliancegsolutions@gmail.com</a>			
SIZE	FSCM NO.	DWG NO. <b>AGS-GRS1</b>	REV
SCALE	DRAWN BY: T.YU CHECKED BY: COLIN GLASS		SHEET <b>34</b>

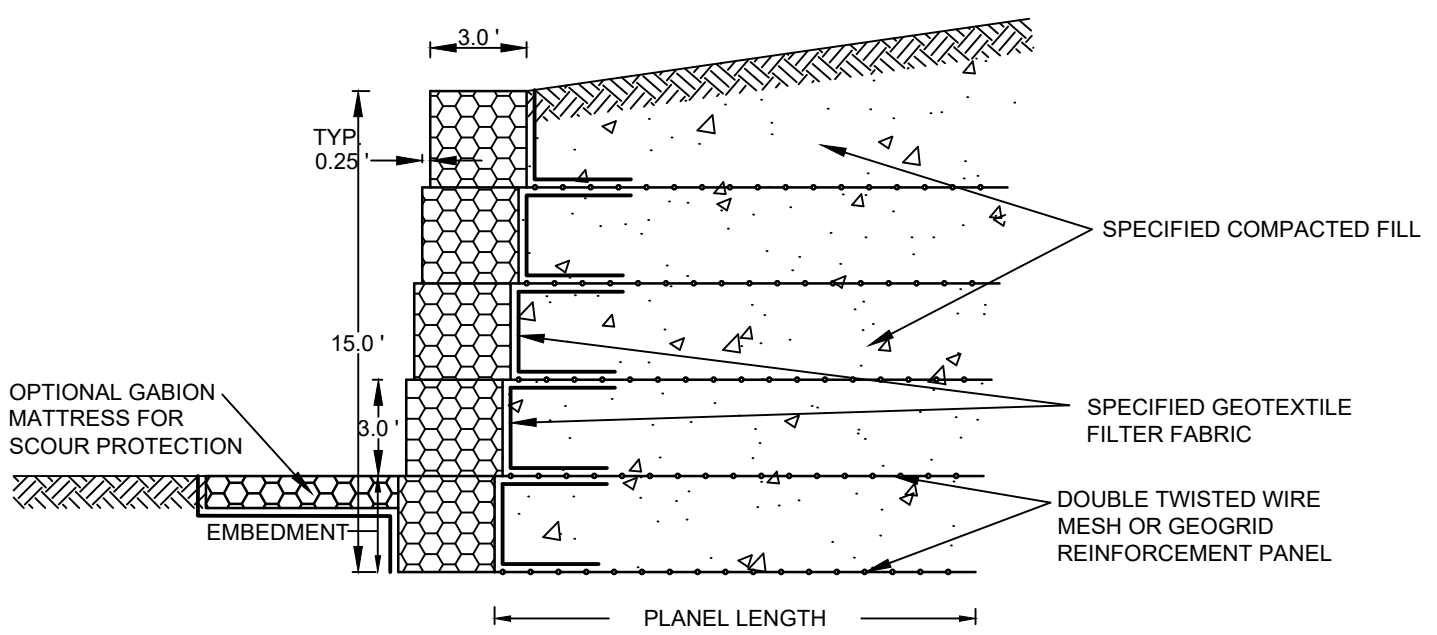
REVISIONS				
ZONE	REV	DESCRIPTION	DATE	APPROVED



## SECTION

		<b>SD # GRS 2 - GABION &amp; REINFORCED SOIL (15 FT. HEIGHT) (1.00 FT. SETBACKS)</b>		
		Alliance Geotechnical Solutions, LLC Phone: 918-645-2963 Email: <a href="mailto:alliancegsolutions@gmail.com">alliancegsolutions@gmail.com</a>		
	SIZE	FSCM NO.	DWG NO. <b>AGS-GRS2</b>	REV
	SCALE	DRAWN BY: T.YU CHECKED BY: COLIN GLASS	SHEET <b>35</b>	

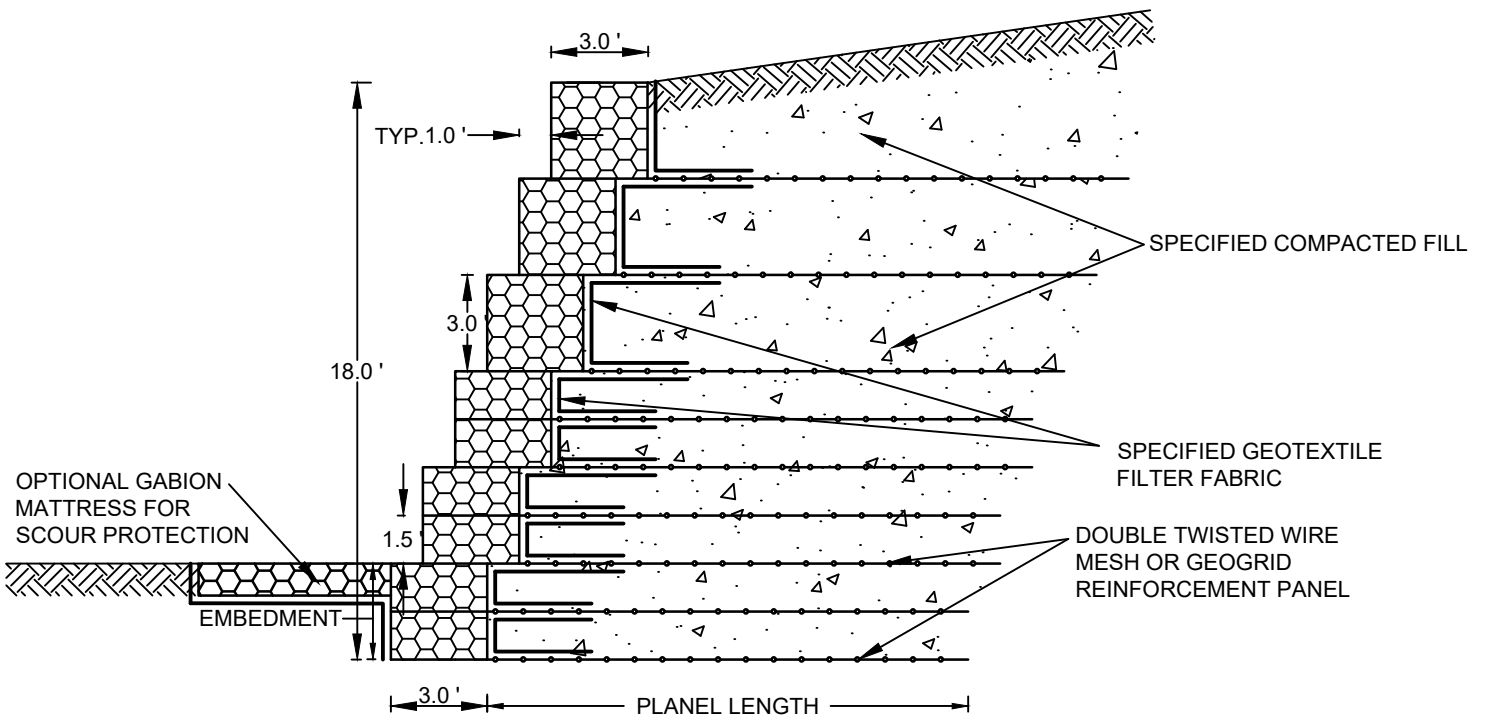
REVISIONS				
ZONE	REV	DESCRIPTION	DATE	APPROVED



## SECTION

	<b>SD # GRS 3 - STABLE SLOPE SYSTEM (15 FT. HEIGHT) (0.25 FT. SETBACKS)</b>			
	Alliance Geotechnical Solutions, LLC Phone: 918-645-2963 Email: <a href="mailto:alliancegsolutions@gmail.com">alliancegsolutions@gmail.com</a>			
	SIZE	FSCM NO.	DWG NO. <b>AGSGRS3</b>	REV
	SCALE	DRAWN BY: T.YU CHECKED BY: COLIN GLASS		<b>SHEET 36</b>

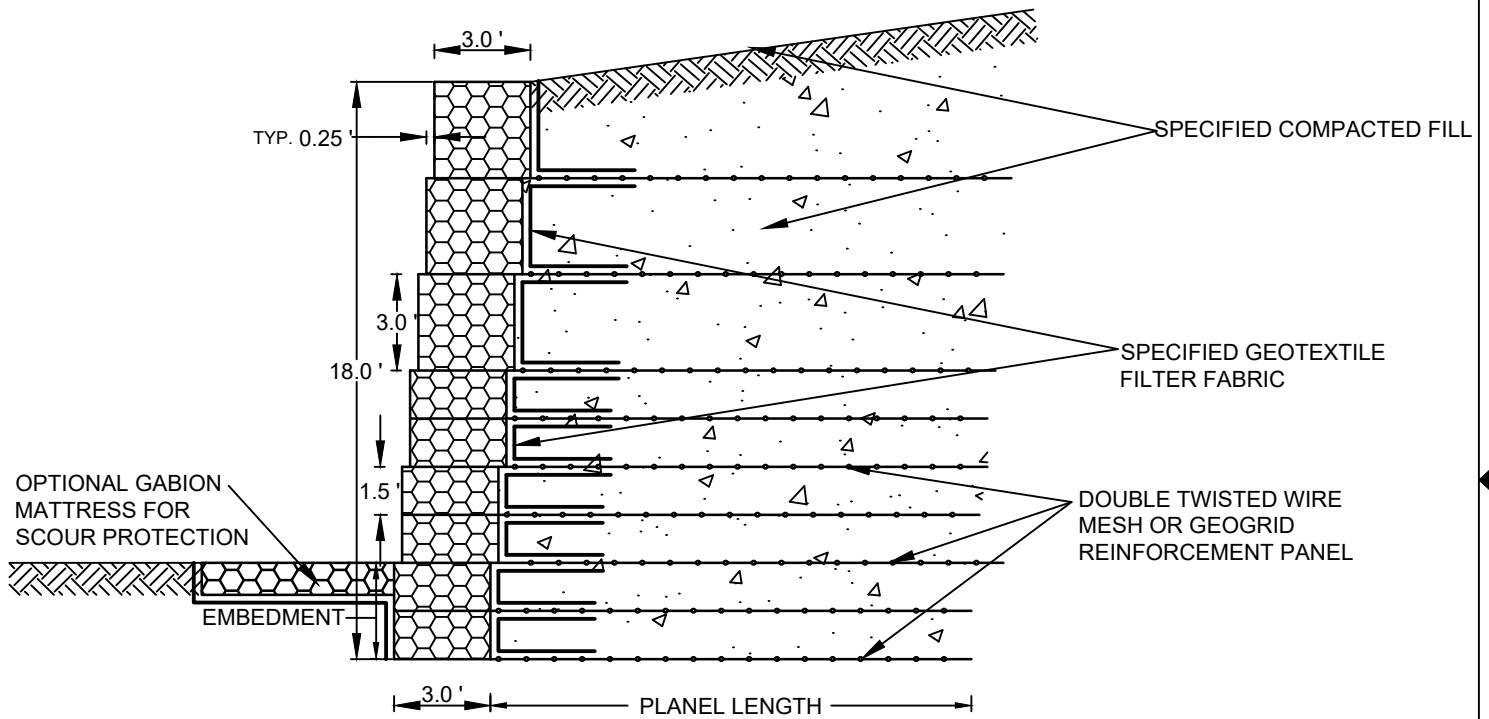
REVISIONS				
ZONE	REV	DESCRIPTION	DATE	APPROVED



## SECTION

	<b>SD # GRS 4 - GABION &amp; REINFORCED SOIL (18 FT. HEIGHT) (1.00 FT. SETBACKS)</b>			
	Alliance Geotechnical Solutions, LLC Phone: 918-645-2963 Email: <a href="mailto:alliancegsolutions@gmail.com">alliancegsolutions@gmail.com</a>			
	SIZE	FSCM NO.	DWG NO. <b>AGSGRS4</b>	REV
	SCALE	DRAWN BY: T.YU CHECKED BY: COLIN GLASS		SHEET <b>37</b>

REVISIONS				
ZONE	REV	DESCRIPTION	DATE	APPROVED

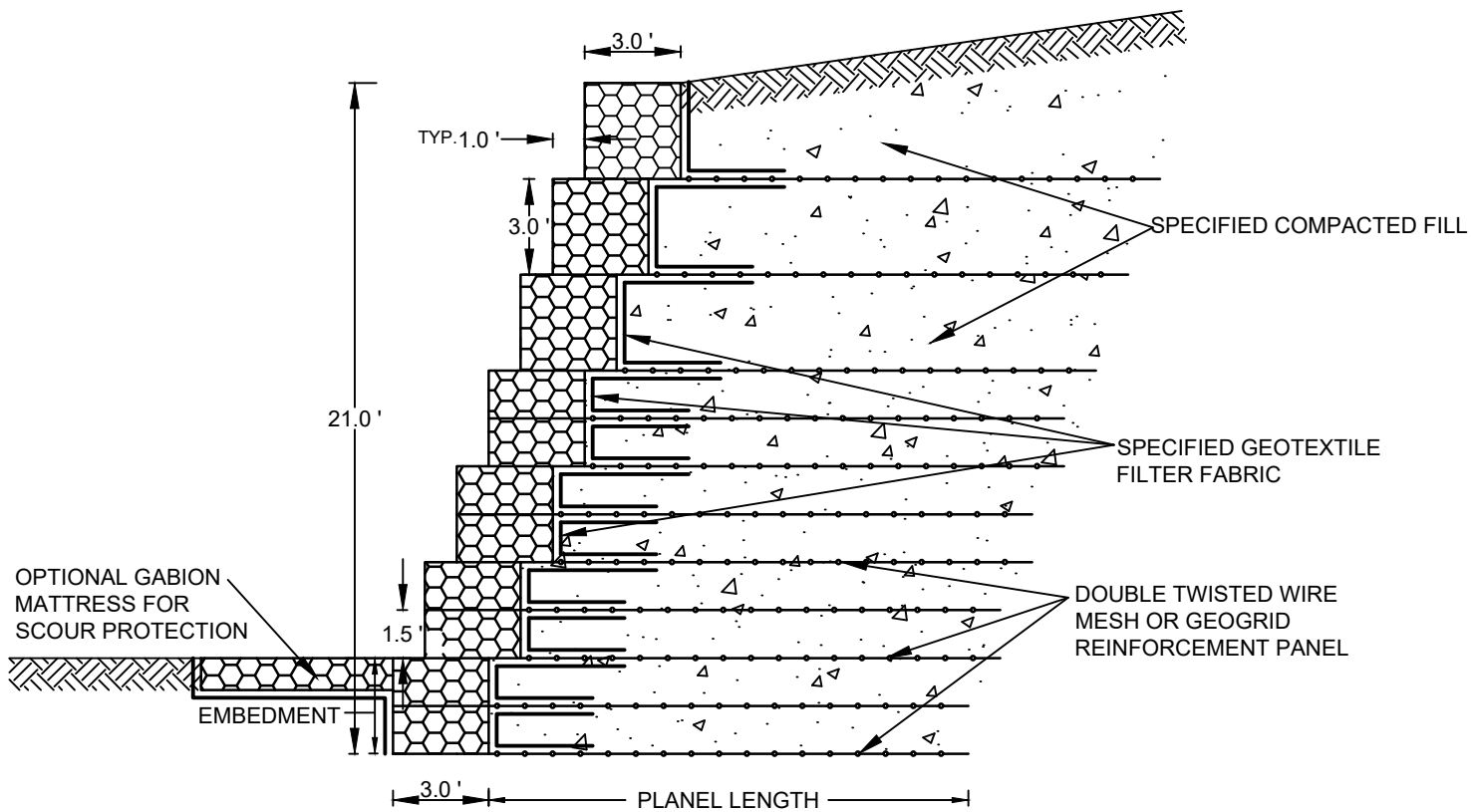


## SECTION

		<b>SD # GRS 5- GABION &amp; REINFORCED SOIL (18 FT. HEIGHT) (0.25 FT. SETBACKS)</b>		
		Alliance Geotechnical Solutions, LLC Phone: 918-645-2963 Email: <a href="mailto:alliancegsolutions@gmail.com">alliancegsolutions@gmail.com</a>		
	SIZE	FSCM NO.	DWG NO.	REV
			<b>AGSGRS5</b>	
	SCALE	DRAWN BY: T.YU CHECKED BY: COLIN GLASS	<b>SHEET 38</b>	



REVISIONS				
ZONE	REV	DESCRIPTION	DATE	APPROVED



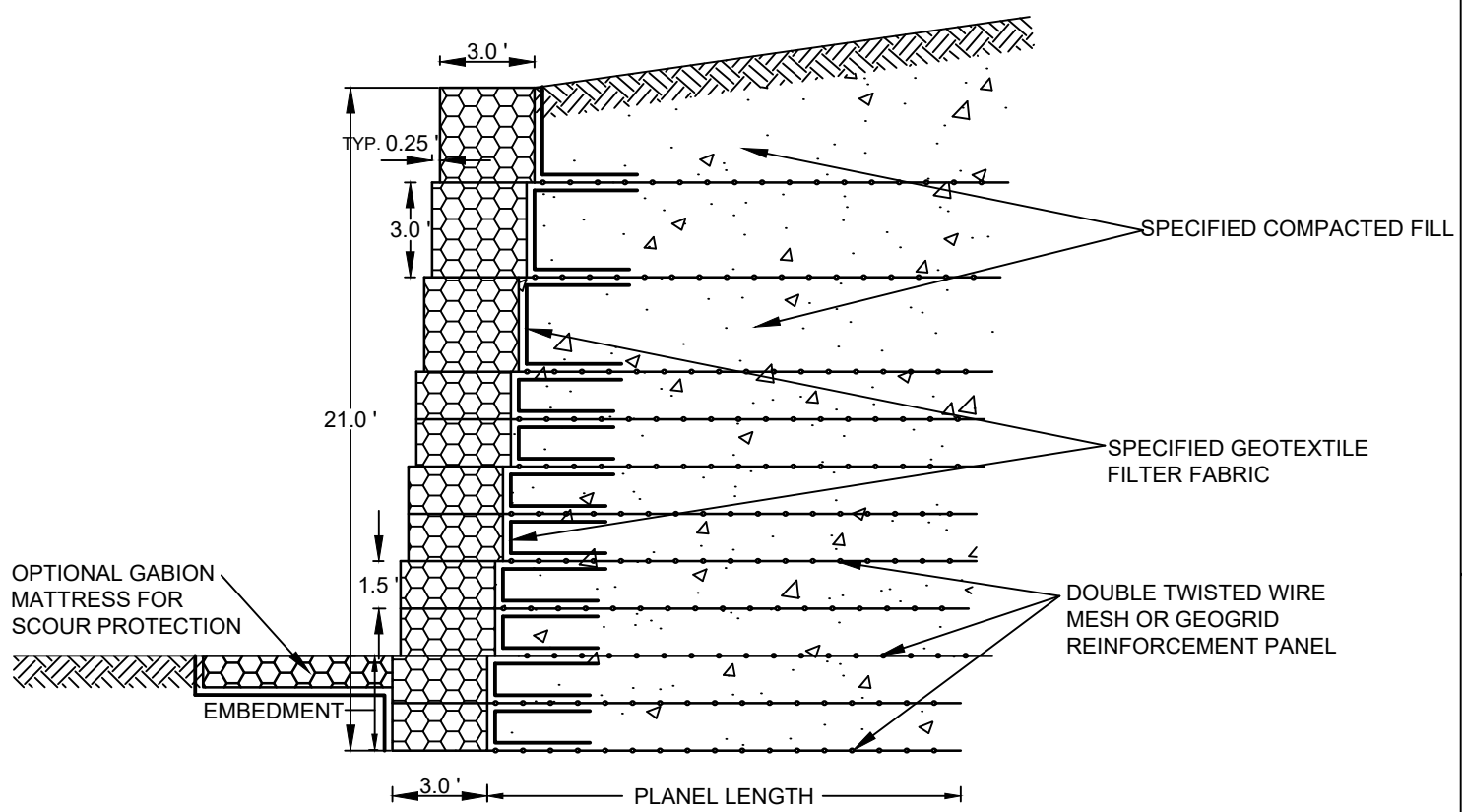
## SECTION

SD # GRS 6 - GABION & REINFORCED SOIL  
(21 FT. HEIGHT) (1.00 FT. SETBACKS)

Alliance Geotechnical Solutions, LLC  
Phone: 918-645-2963  
Email: [alliancegsolutions@gmail.com](mailto:alliancegsolutions@gmail.com)

SIZE	FSCM NO.	DWG NO.	REV
		AGSGRS6	
SCALE	DRAWN BY: T.YU CHECKED BY: COLIN GLASS	SHEET 39	

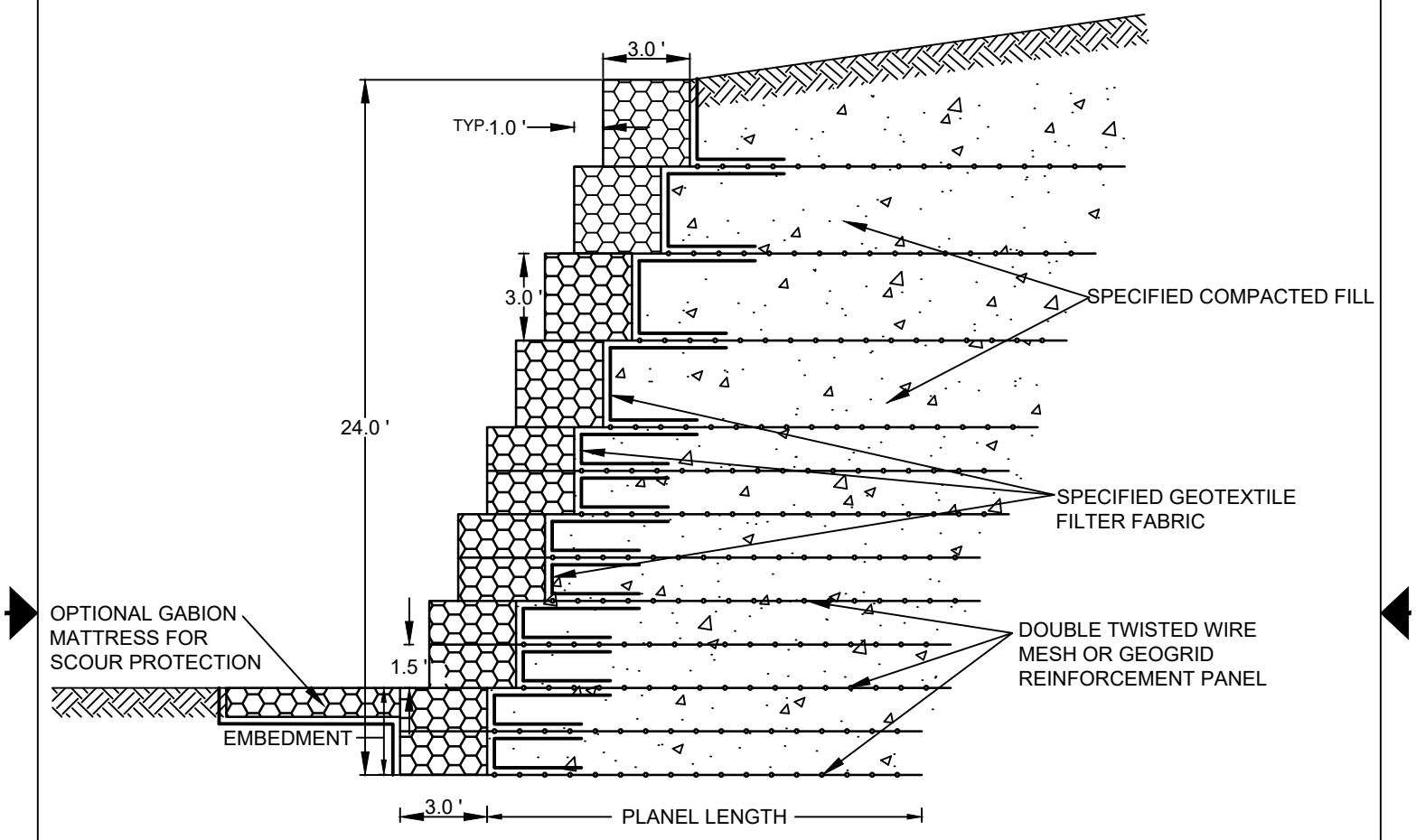
REVISIONS				
ZONE	REV	DESCRIPTION	DATE	APPROVED



## SECTION

	<b>SD # GRS 7 - GABON &amp; REINFORCED SOIL (21 FT. HEIGHT) (0.25 FT. SETBACKS)</b>			
	Alliance Geotechnical Solutions, LLC Phone: 918-645-2963 Email: <a href="mailto:alliancegsolutions@gmail.com">alliancegsolutions@gmail.com</a>			
	SIZE	FSCM NO.	DWG NO. <b>AGSGRS7</b>	REV
	SCALE	DRAWN BY: T.YU CHECKED BY: COLIN GLASS		<b>SHEET 40</b>

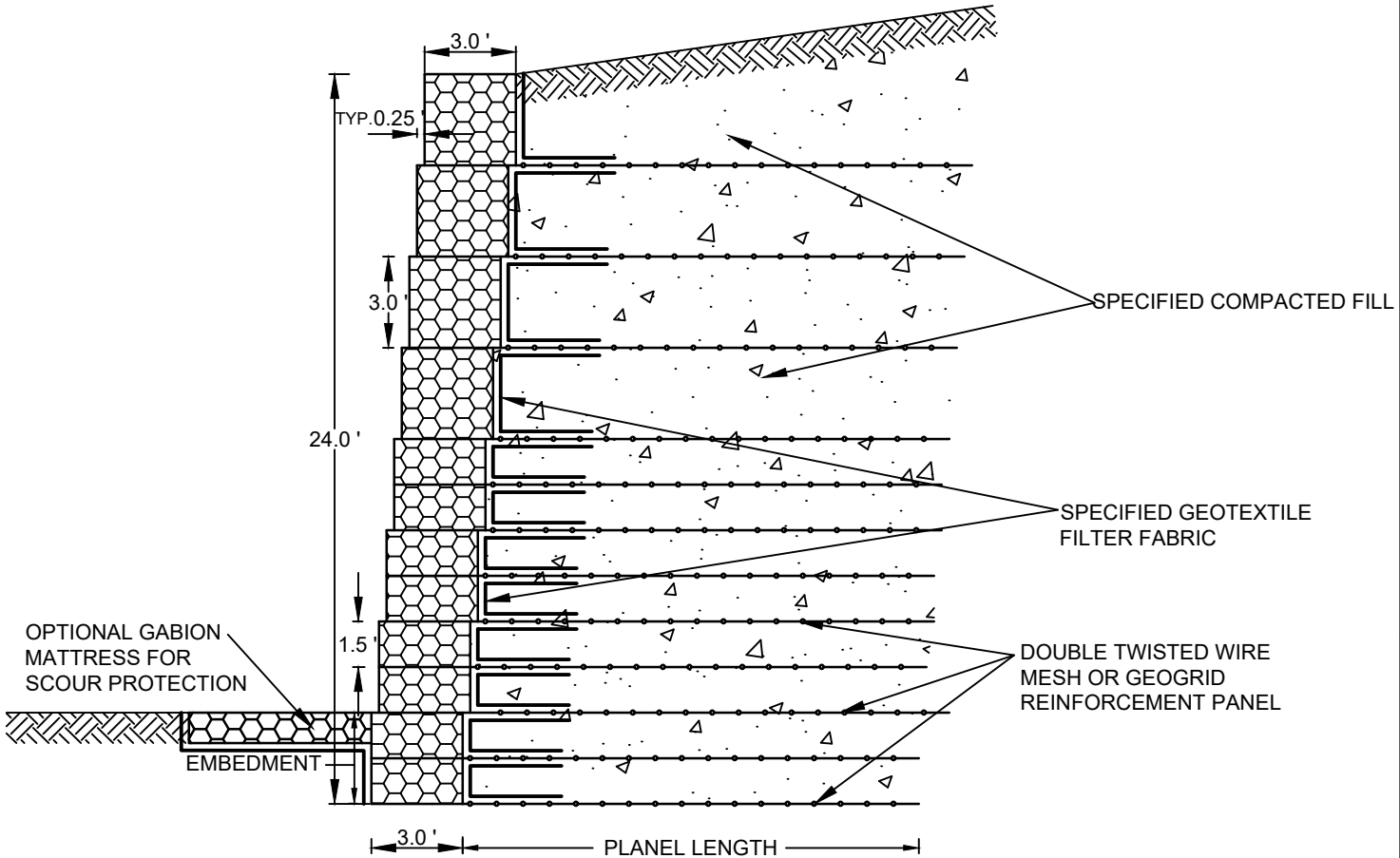
REVISIONS				
ZONE	REV	DESCRIPTION	DATE	APPROVED



## SECTION

	<b>SD # GRS 8 - GABION &amp; REINFORCED SOIL (24 FT. HEIGHT) (1.00 FT SETBACKS)</b>			
	Alliance Geotechnical Solutions, LLC Phone: 918-645-2963 Email: alliancegsolutions@gmail.com			
	SIZE	FSCM NO.	DWG NO. <b>AGSGRS8</b>	REV
	SCALE	DRAWN BY: T.YU CHECKED BY: COLIN GLASS		SHEET <b>41</b>

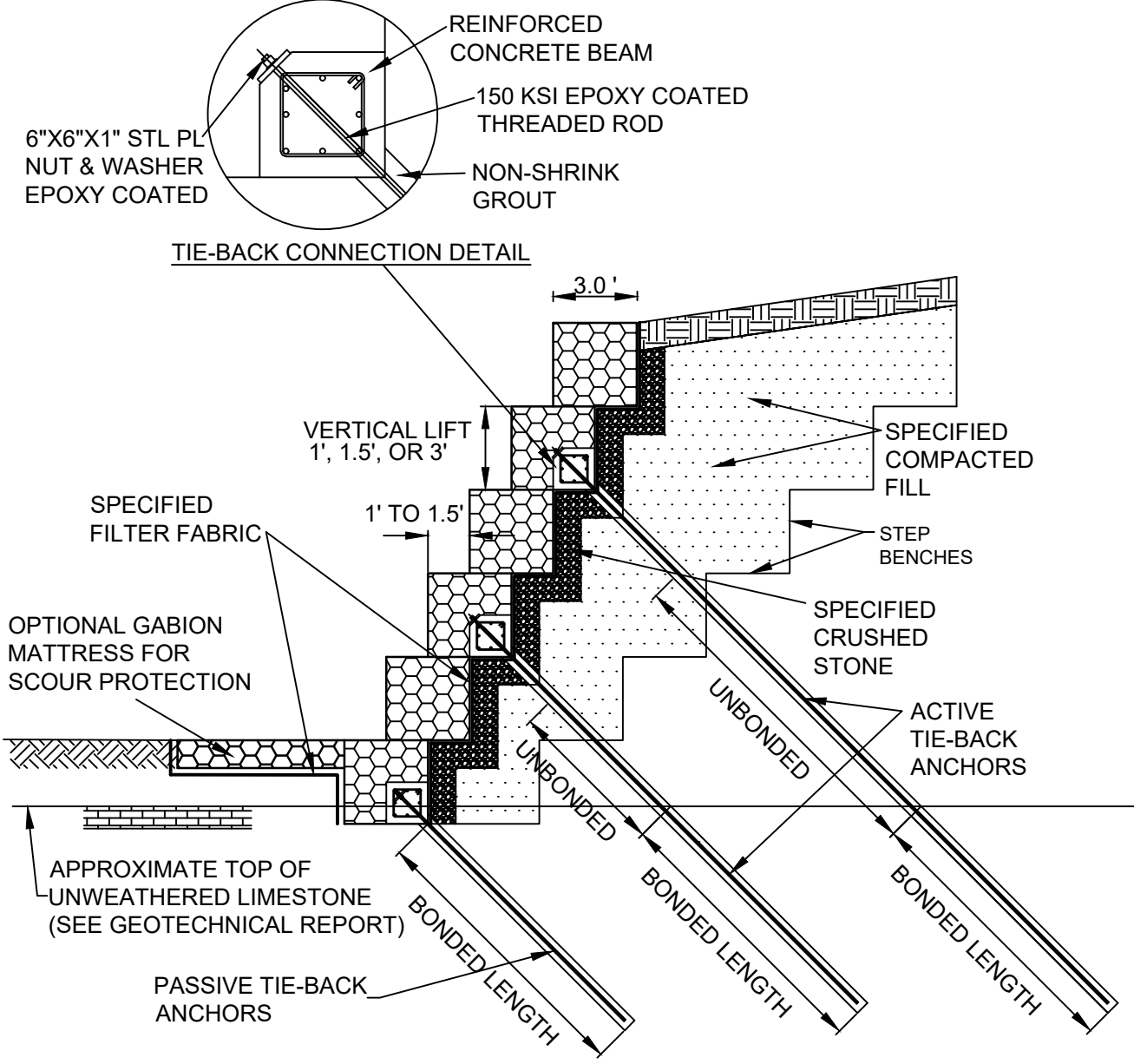
REVISIONS				
ZONE	REV	DESCRIPTION	DATE	APPROVED



## SECTION

		<b>SD # GRS 9 - STABLE SLOPE SYSTEM</b>		
		(24 FT. HEIGHT) (0.25 FT. SETBACKS)		
		Alliance Geotechnical Solutions, LLC		
		Phone: 918-645-2963		
		Email: <a href="mailto:alliancegsolutions@gmail.com">alliancegsolutions@gmail.com</a>		
		SIZE	FSCM NO.	DWG NO. <b>AGSGRS9</b>
		SCALE	DRAWN BY: T.YU CHECKED BY: COLIN GLASS	SHEET <b>42</b>

REVISIONS				
ZONE	REV	DESCRIPTION	DATE	APPROVED

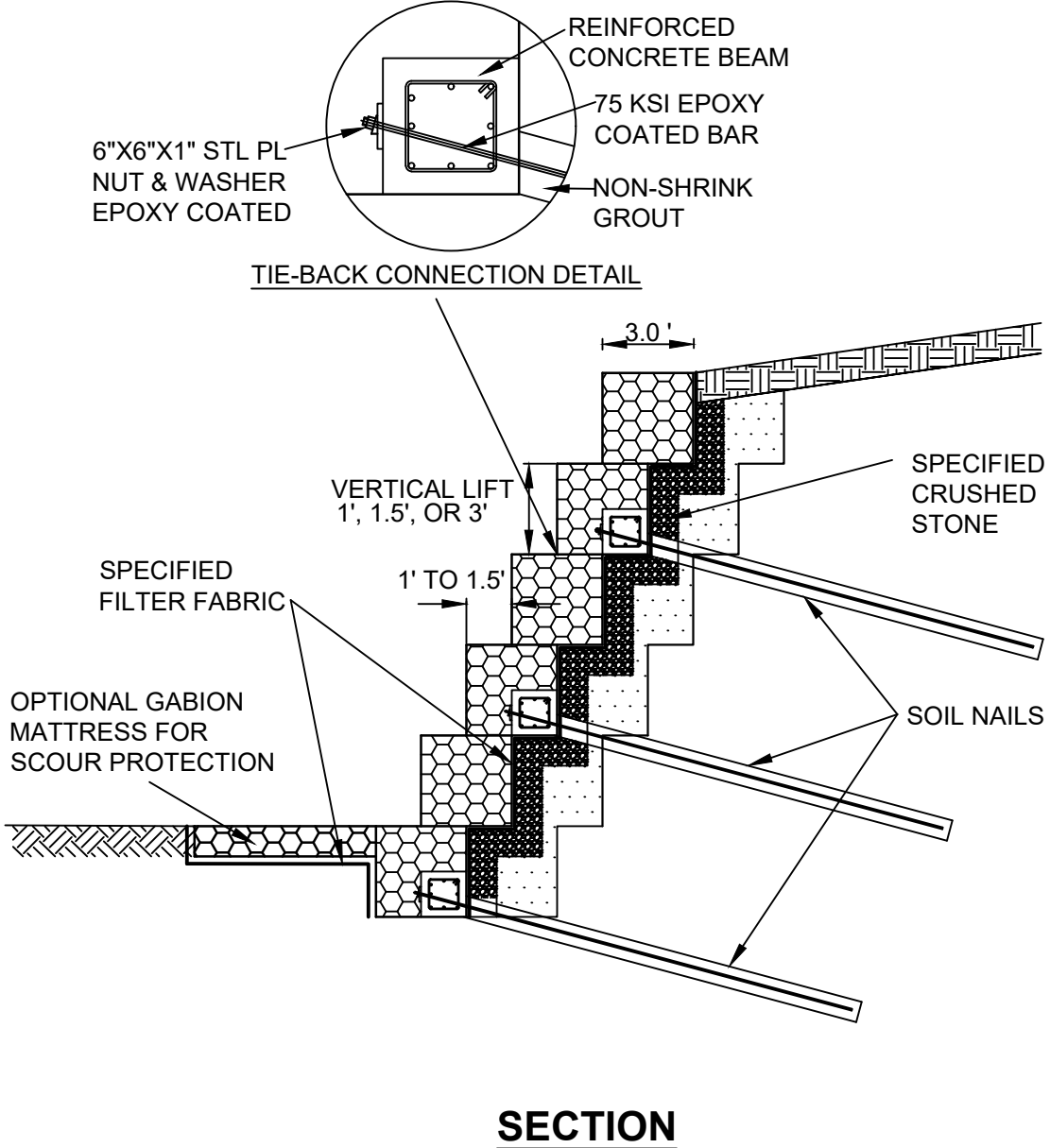


TIE-BACK CONNECTION DETAIL

**SECTION**

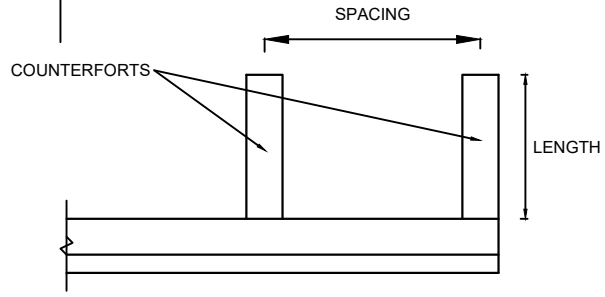
		SD # TB 1 - GABION TIE-BACK WALL ROCK ANCHORS		
		Alliance Geotechnical Solutions, LLC Phone: 918-645-2963 Email: alliancegsolutions@gmail.com		
	SIZE	FSCM NO.	DWG NO. <b>AGS-RA1</b>	REV
	SCALE	DRAWN BY: T.YU CHECKED BY: COLIN GLASS		SHEET <b>43</b>

REVISIONS				
ZONE	REV	DESCRIPTION	DATE	APPROVED

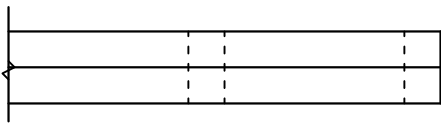


		<b>SD # TB 1 - GABION TIE-BACK WALL SOIL NAILS</b>		
		Alliance Geotechnical Solutions, LLC Phone: 918-645-2963 Email: <a href="mailto:alliancegsolutions@gmail.com">alliancegsolutions@gmail.com</a>		
	SIZE	FSCM NO.	DWG NO. <b>AGS-SN1</b>	REV
	SCALE	DRAWN BY: T.YU CHECKED BY: COLIN GLASS		SHEET <b>44</b>

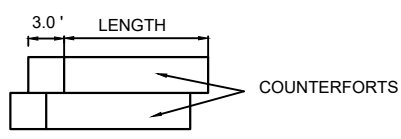
REVISIONS				
ZONE	REV	DESCRIPTION	DATE	APPROVED



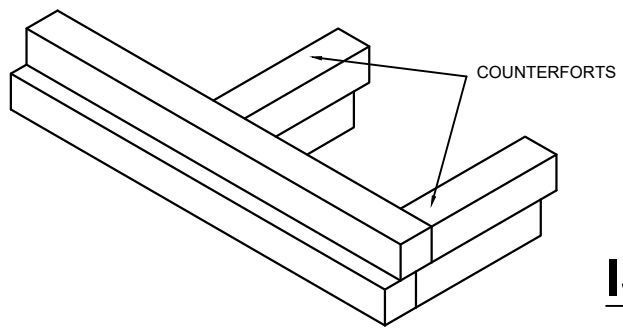
**PLAN**



**ELEVATION**



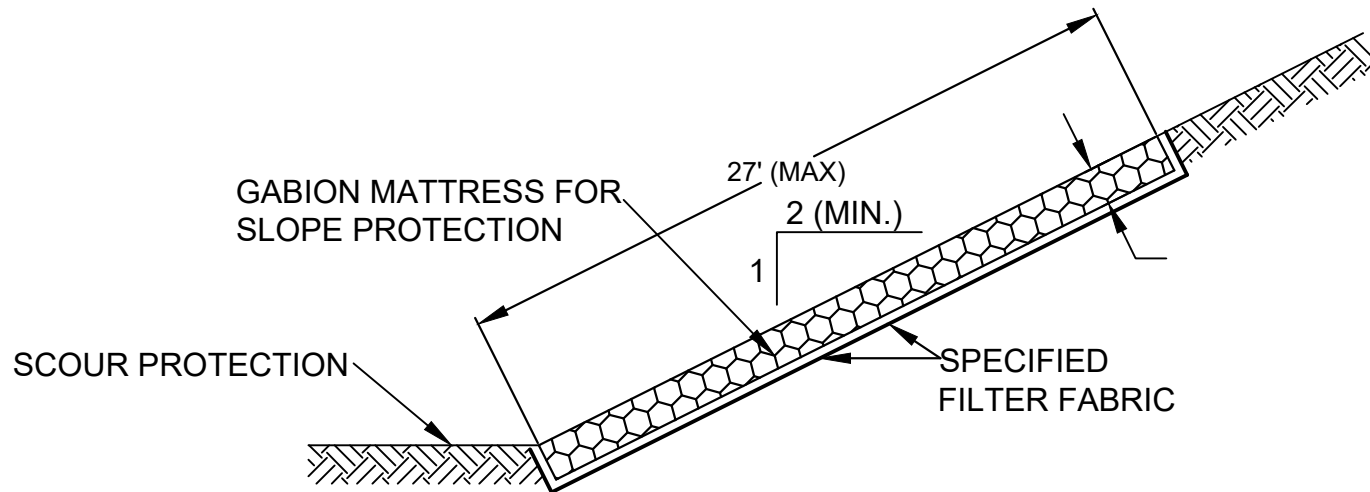
**SECTION A-A**



**ISOMETRIC**

	SD # CF1 - COUNTERFORT GABION			
	Alliance Geotechnical Solutions, LLC Phone: 918-645-2963 Email: alliancegsolutions@gmail.com			
	SIZE	FSCM NO.	DWG NO. AGSCF1	REV
	SCALE	DRAWN BY: T.YU CHECKED BY: COLIN GLASS	SHEET 45	

REVISIONS				
ZONE	REV	DESCRIPTION	DATE	APPROVED

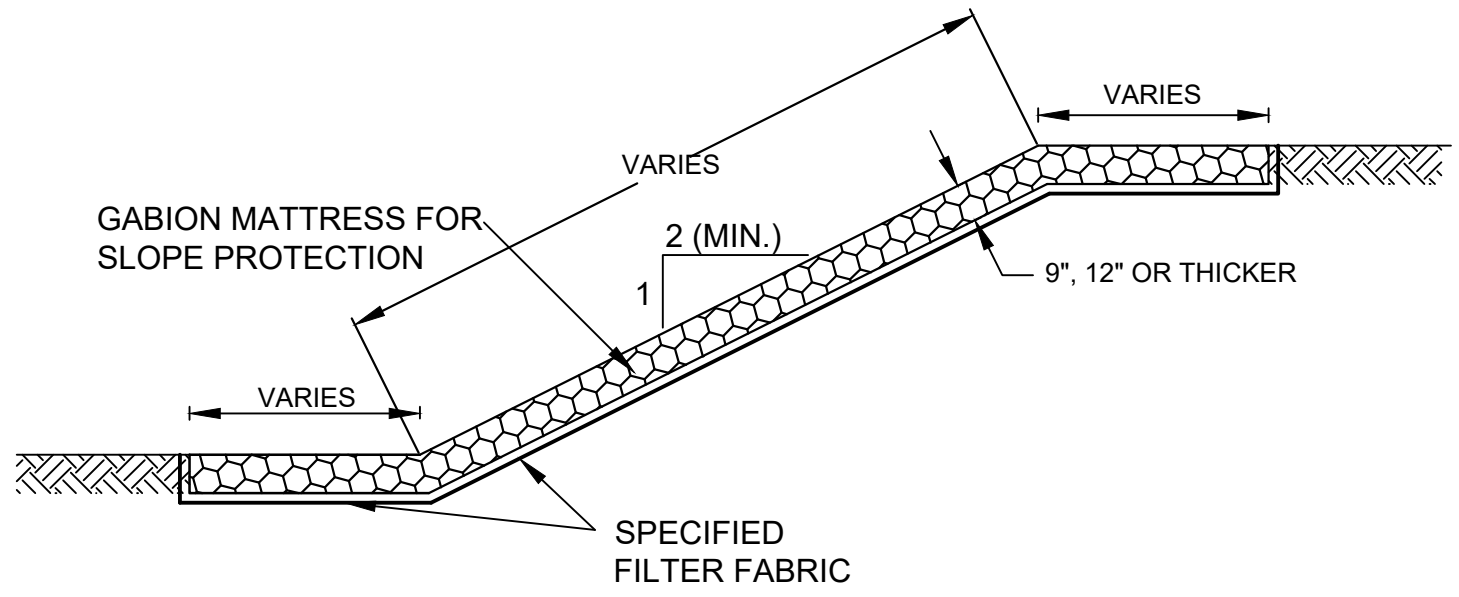


## SECTION

		SD # S1A - SLOPE PROTECTION (GABION MATTRESS) ( > 2H: 1V SLOPE)		
		Alliance Geotechnical Solutions, LLC Phone: 918-645-2963 Email: alliancegsolutions@gmail.com		
	SIZE	FSCM NO.	DWG NO.	REV
			AGSS1A	
	SCALE	DRAWN BY: T.YU CHECKED BY: COLIN GLASS	SHEET	46



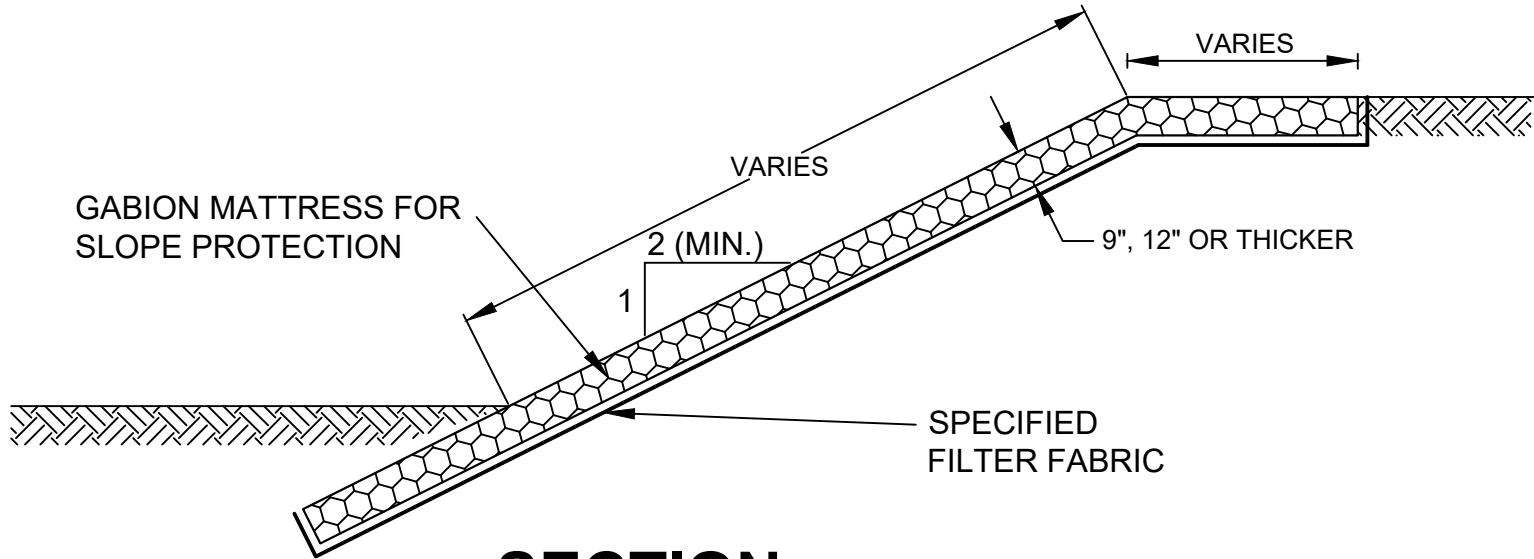
REVISIONS				
ZONE	REV	DESCRIPTION	DATE	APPROVED



## SECTION

		SD # S1B - SLOPE PROTECTION (GABION MATTRESS) ( > 2H: 1V SLOPE)(TOP & BOTTOM OF SLOPE FLAT)		
		Alliance Geotechnical Solutions, LLC Phone: 918-645-2963 Email: alliancegsolutions@gmail.com		
	SIZE	FSCM NO.	DWG NO. AGSS1B	REV
	SCALE	DRAWN BY: T.YU CHECKED BY: COLIN GLASS	SHEET 47	

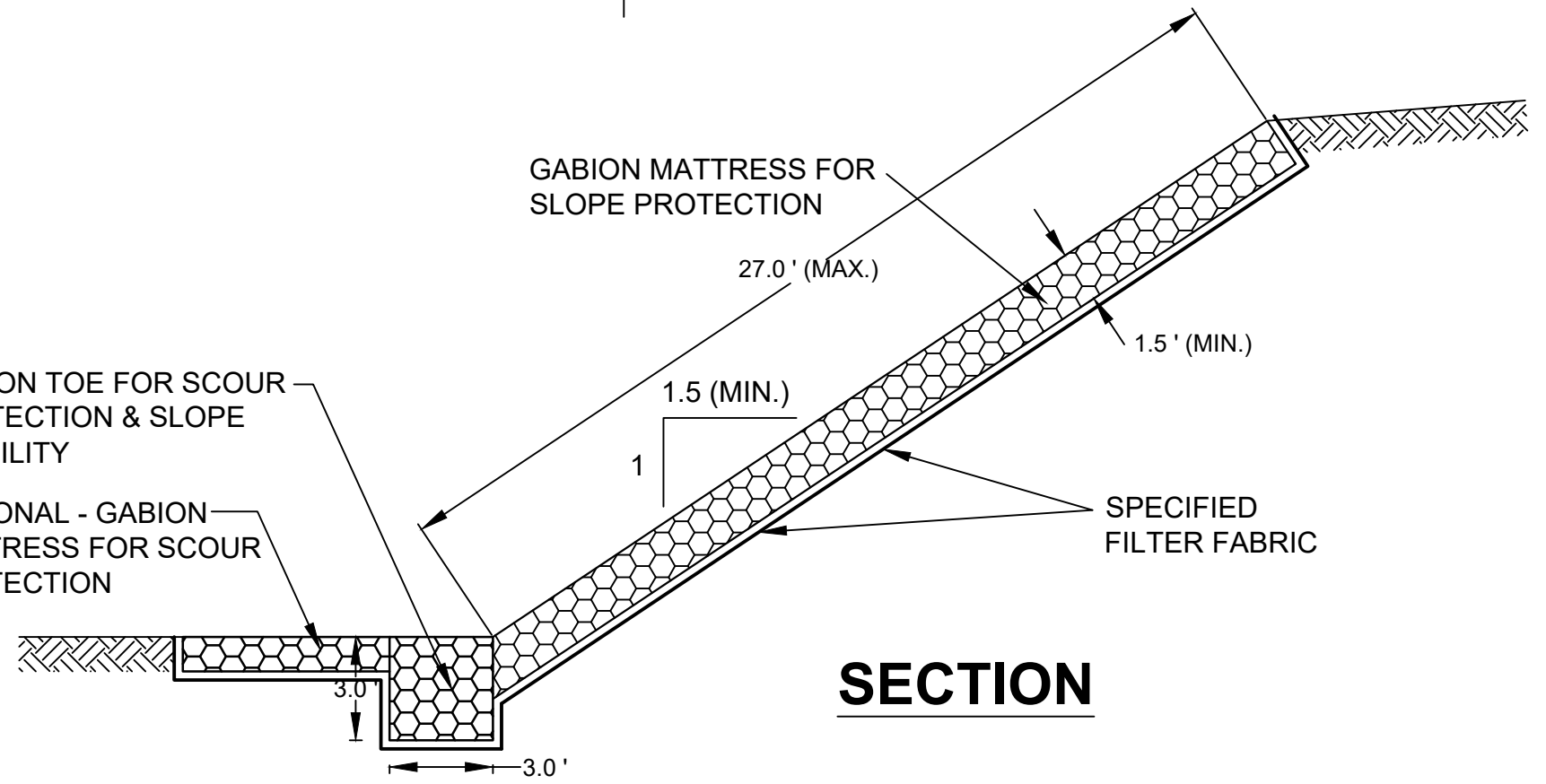
REVISIONS				
ZONE	REV	DESCRIPTION	DATE	APPROVED



## SECTION

	SD # S1C - SLOPE PROTECTION (GABION MATTRESS) ( > 2H: 1V SLOPE) (TOP OF SLOPE FLAT, BOTTOM OF SLOPE BURIED)			
	Alliance Geotechnical Solutions, LLC Phone: 918-645-2963 Email: <a href="mailto:alliancegsolutions@gmail.com">alliancegsolutions@gmail.com</a>			
	SIZE	FSCM NO.	DWG NO.	REV
			AGSS1C	
	SCALE	DRAWN BY: T.YU CHECKED BY: COLIN GLASS	SHEET 48	

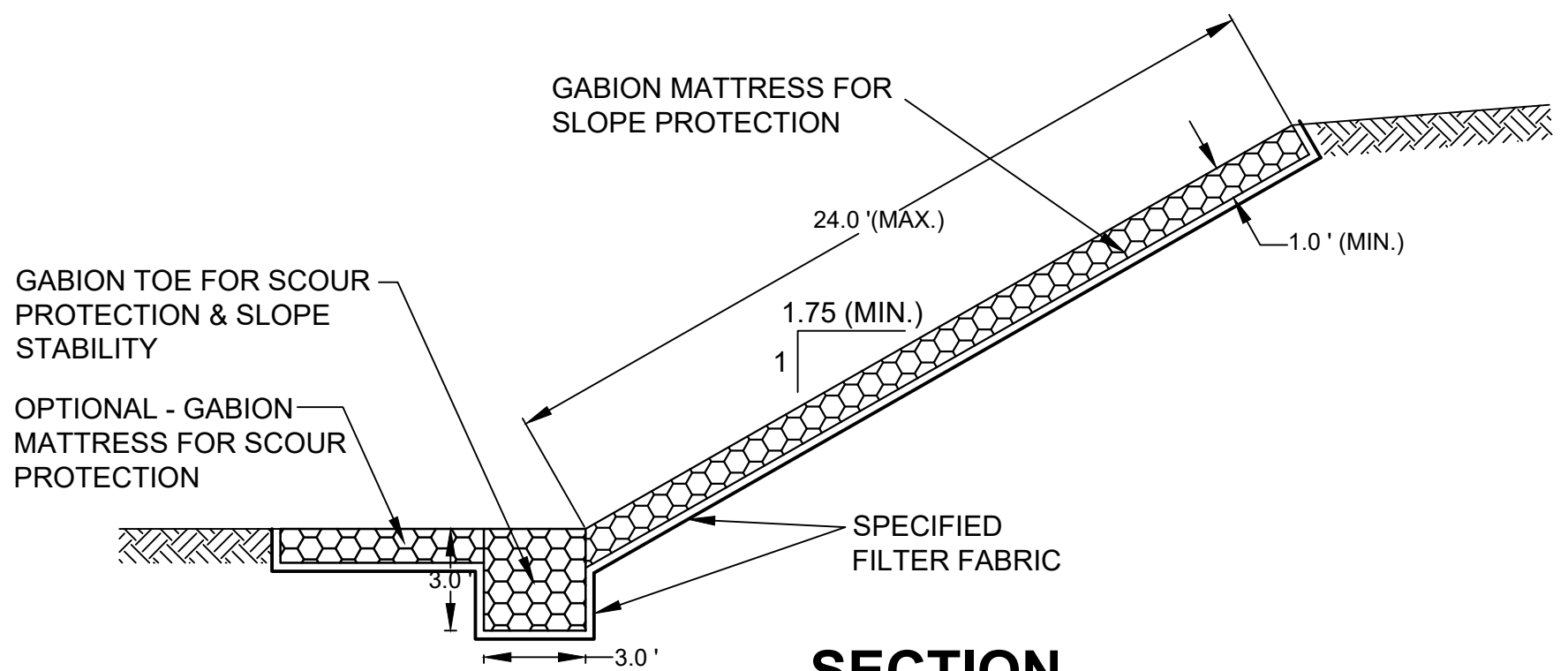
REVISIONS				
ZONE	REV	DESCRIPTION	DATE	APPROVED



# SECTION

		SD # S2A - SLOPE PROTECTION (GABION MATTRESS) ( >1.5H:1V SLOPE ) (3' X3' TOE)		
		Alliance Geotechnical Solutions, LLC Phone: 918-645-2963 Email: alliancegsolutions@gmail.com		
	SIZE	FSCM NO.	DWG NO.	AGSS2A
	SCALE	DRAWN BY: T.YU CHECKED BY: COLIN GLASS	SHEET	49

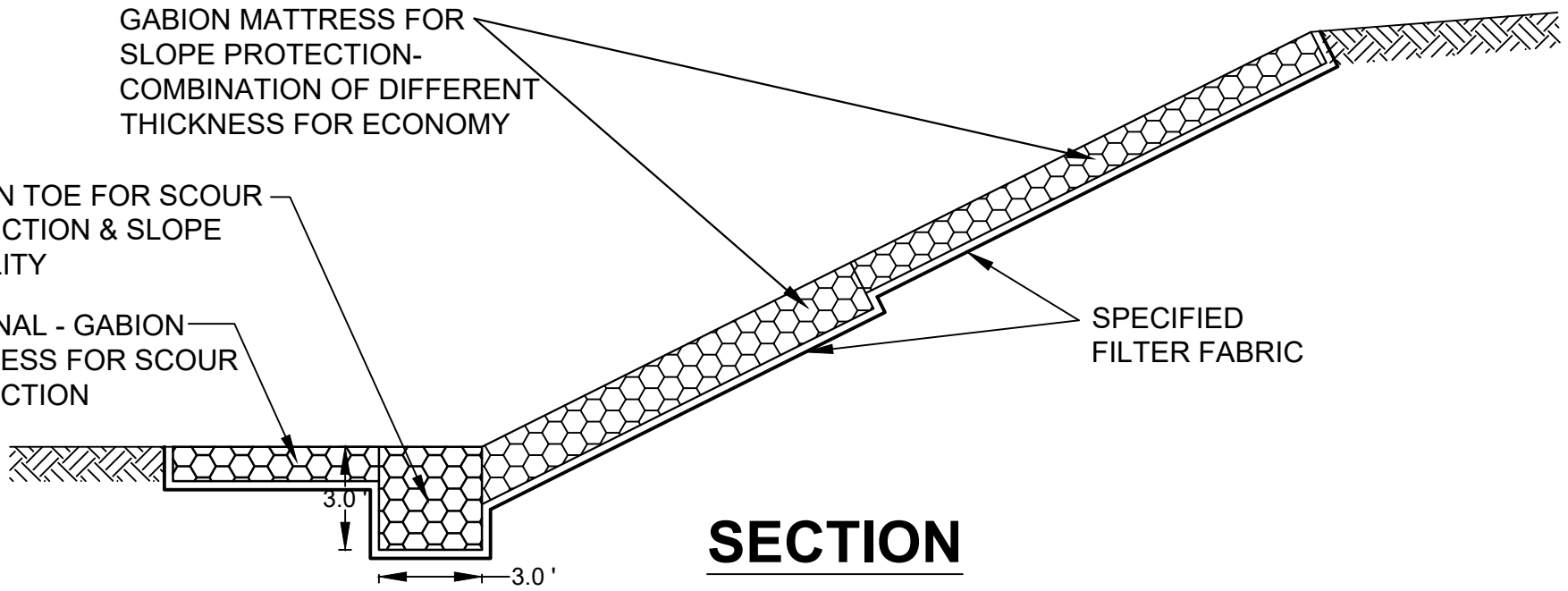
REVISIONS				
ZONE	REV	DESCRIPTION	DATE	APPROVED



## SECTION

		SD # S2B - SLOPE PROTECTION (GABION MATTRESS) ( >1.75H:1V SLOPE) (3' X3' TOE)		
		Alliance Geotechnical Solutions, LLC Phone: 918-645-2963 Email: alliancegsolutions@gmail.com		
	SIZE	FSCM NO.	DWG NO. <b>AGSS2B</b>	REV
	SCALE	DRAWN BY: T.YU CHECKED BY: COLIN GLASS	SHEET <b>50</b>	

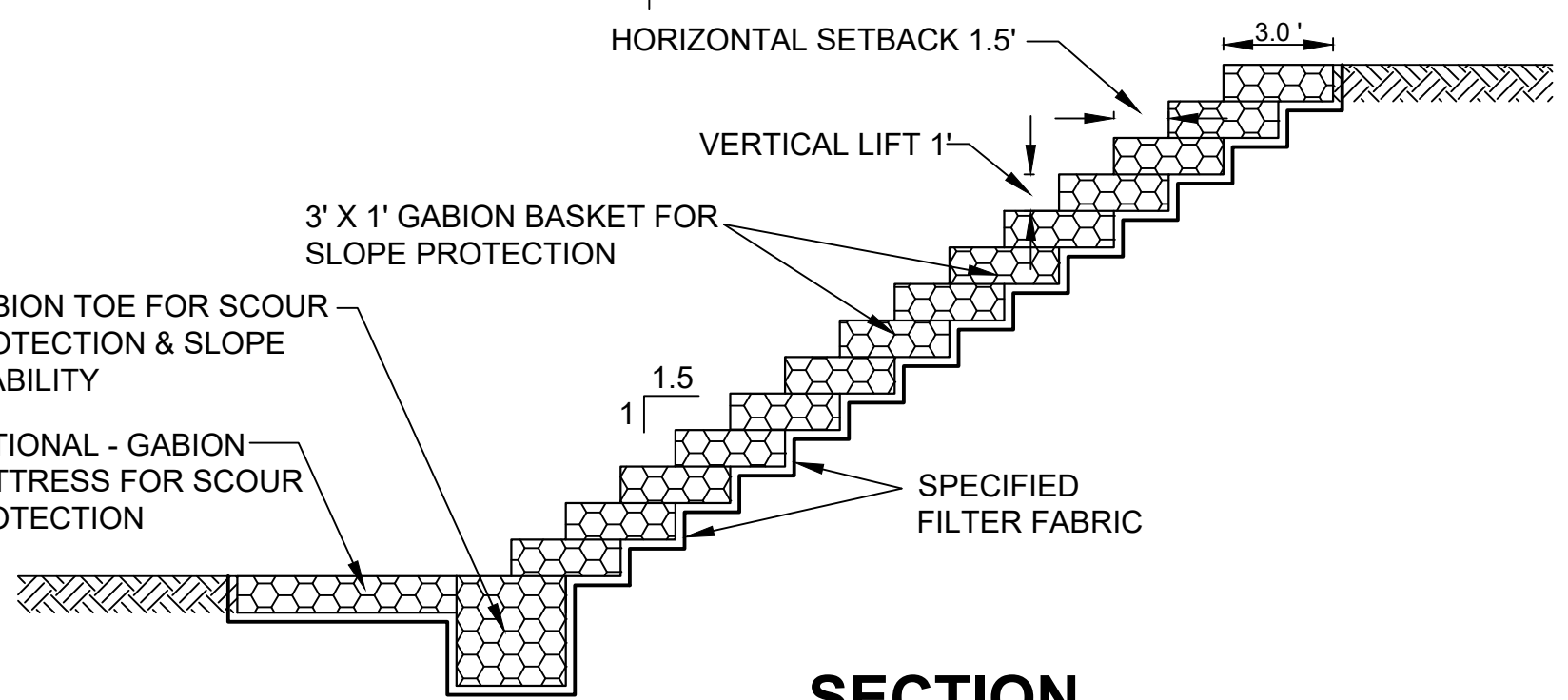
REVISIONS				
ZONE	REV	DESCRIPTION	DATE	APPROVED



**SECTION**

	SD # S3 - SLOPE PROTECTION (GABION MATTRESS) (DIFFERENT THICKNESS)			
	Alliance Geotechnical Solutions, LLC Phone: 918-645-2963 Email: alliancegsolutions@gmail.com			
	SIZE	FSCM NO.	DWG NO. <b>AGSS3</b>	REV
	SCALE	DRAWN BY: T.YU CHECKED BY: COLIN GLASS	SHEET	<b>51</b>

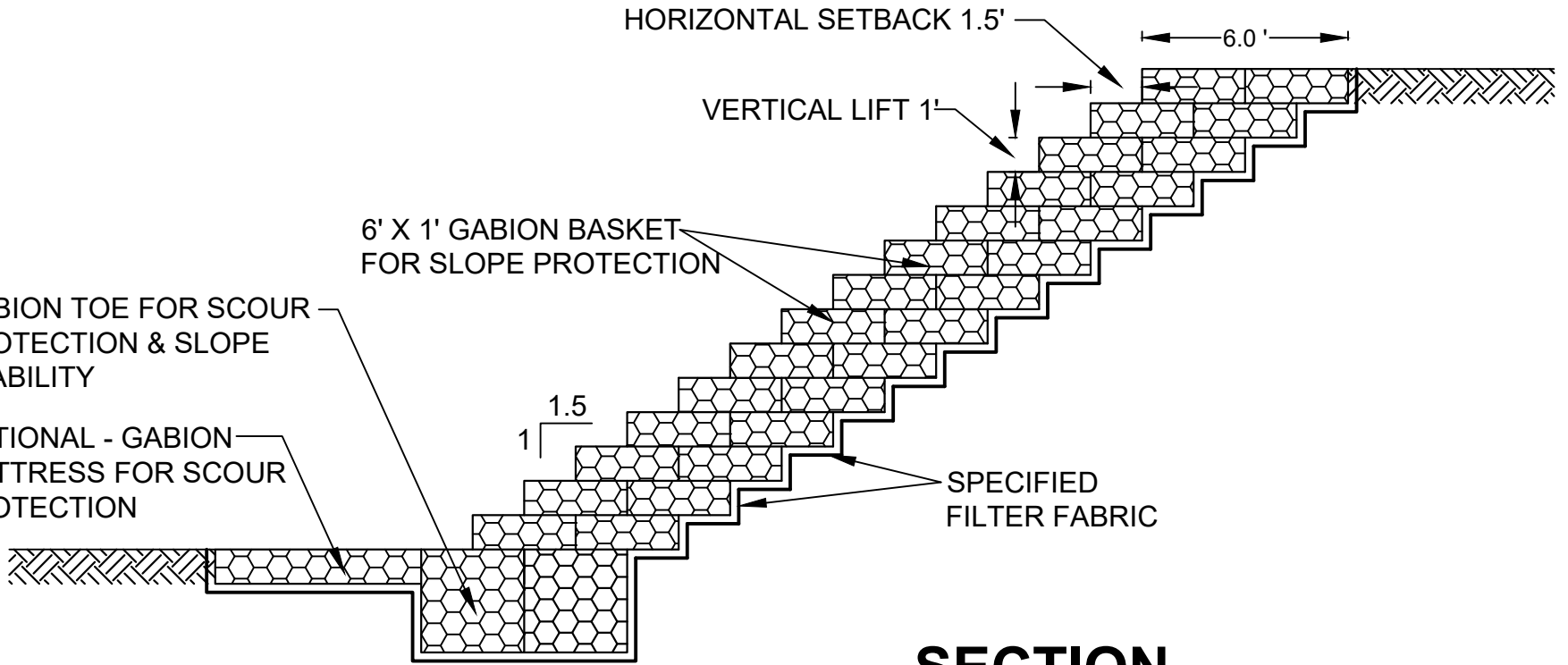
REVISIONS				
ZONE	REV	DESCRIPTION	DATE	APPROVED



## SECTION

	SD # S4A - SLOPE PROTECTION (GABION) (STEPPED) (3' X 1') (1.5 H : 1V SLOPE)			
	Alliance Geotechnical Solutions, LLC Phone: 918-645-2963 Email: alliancegsolutions@gmail.com			
	SIZE	FSCM NO.	DWG NO. <b>AGSS4A</b>	REV
	SCALE	DRAWN BY: T.YU CHECKED BY: COLIN GLASS		SHEET <b>52</b>

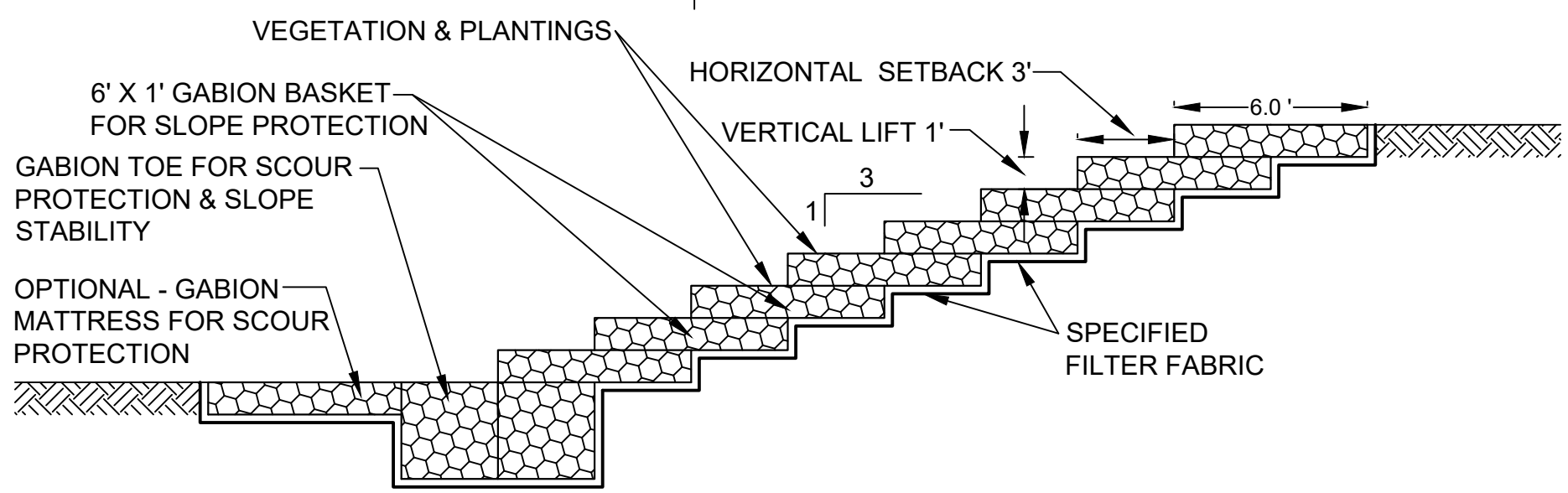
REVISIONS				
ZONE	REV	DESCRIPTION	DATE	APPROVED



# SECTION

		SD # S4B - SLOPE PROTECTION (GABION) (STEPPED) (6' X 1') (1.5 H : 1V SLOPE)		
		Alliance Geotechnical Solutions, LLC Phone: 918-645-2963 Email: <a href="mailto:alliancegsolutions@gmail.com">alliancegsolutions@gmail.com</a>		
SIZE	FSCM NO.	DWG NO.	REV	
		AGSS4B		
SCALE		DRAWN BY: T.YU CHECKED BY: COLIN GLASS	SHEET 53	

REVISIONS				
ZONE	REV	DESCRIPTION	DATE	APPROVED

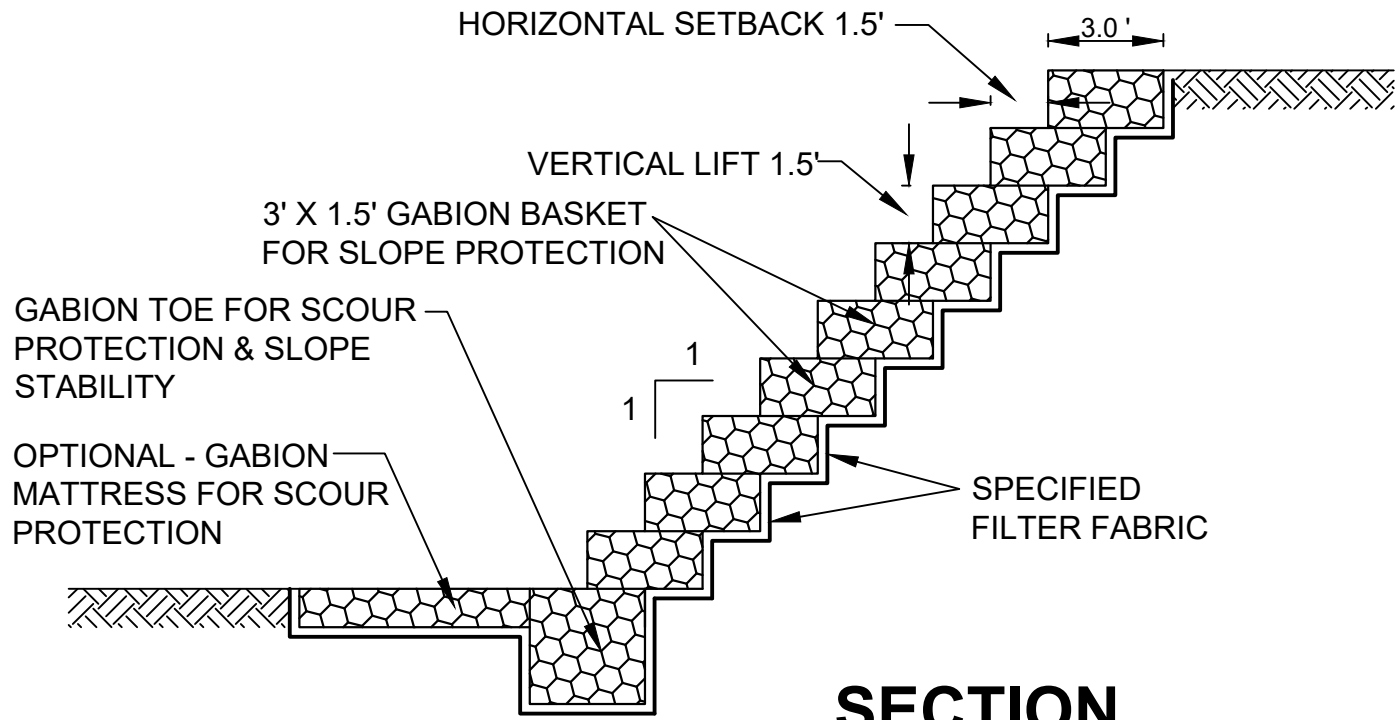


# SECTION

	SD # S4C - SLOPE PROTECTION (GABION) (STEPPED) (6' X 1') (3 H : 1V SLOPE)			
	Alliance Geotechnical Solutions, LLC Phone: 918-645-2963 Email: alliancegsolutions@gmail.com			
	SIZE	FSCM NO.	DWG NO. <b>AGSS4C</b>	REV
	SCALE	DRAWN BY: T.YU CHECKED BY: COLIN GLASS	SHEET <b>54</b>	



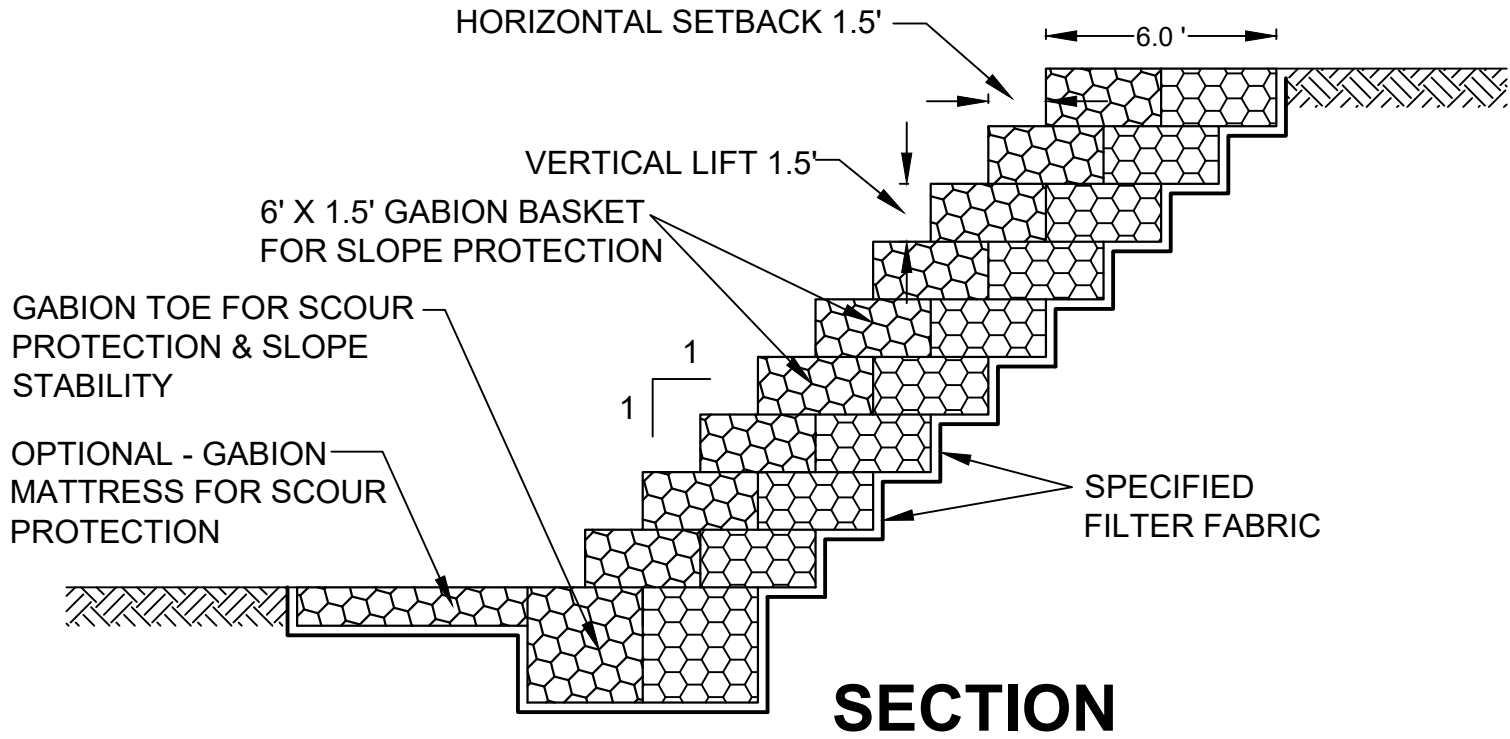
REVISIONS				
ZONE	REV	DESCRIPTION	DATE	APPROVED



## SECTION

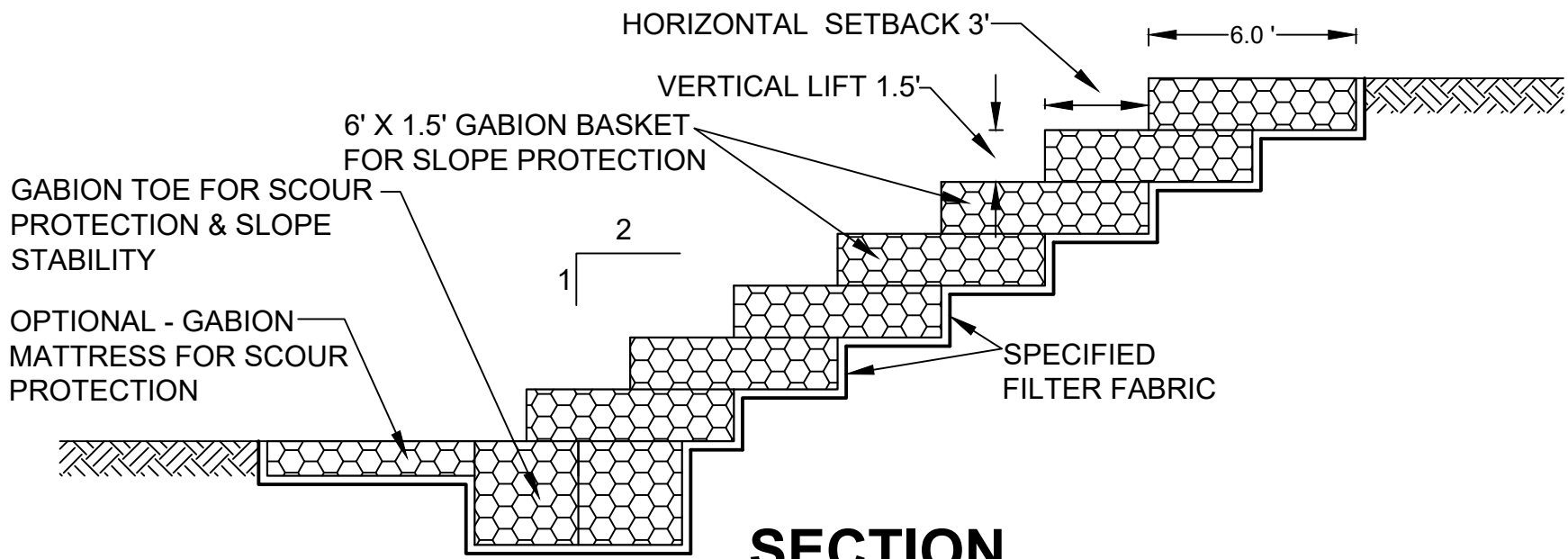
		SD # S5A - SLOPE PROTECTION (GABION) (STEPPED) (3' X 1.5') (1 H : 1 V SLOPE)		
		Alliance Geotechnical Solutions, LLC Phone: 918-645-2963 Email: alliancegsolutions@gmail.com		
	SIZE	FSCM NO.	DWG NO. <b>AGSS5A</b>	REV
	SCALE	DRAWN BY: T.YU CHECKED BY: COLIN GLASS	SHEET	<b>55</b>

REVISIONS				
ZONE	REV	DESCRIPTION	DATE	APPROVED



		SD # S5B - SLOPE PROTECTION (GABION) (STEPPED) (6' X 1.5') (1 H : 1 V SLOPES)		
		Alliance Geotechnical Solutions, LLC Phone: 918-645-2963 Email: alliancegsolutions@gmail.com		
SIZE	FSCM NO.	DWG NO.	AGSS5B	REV
SCALE	DRAWN BY: T.YU CHECKED BY: COLIN GLASS		SHEET 56	

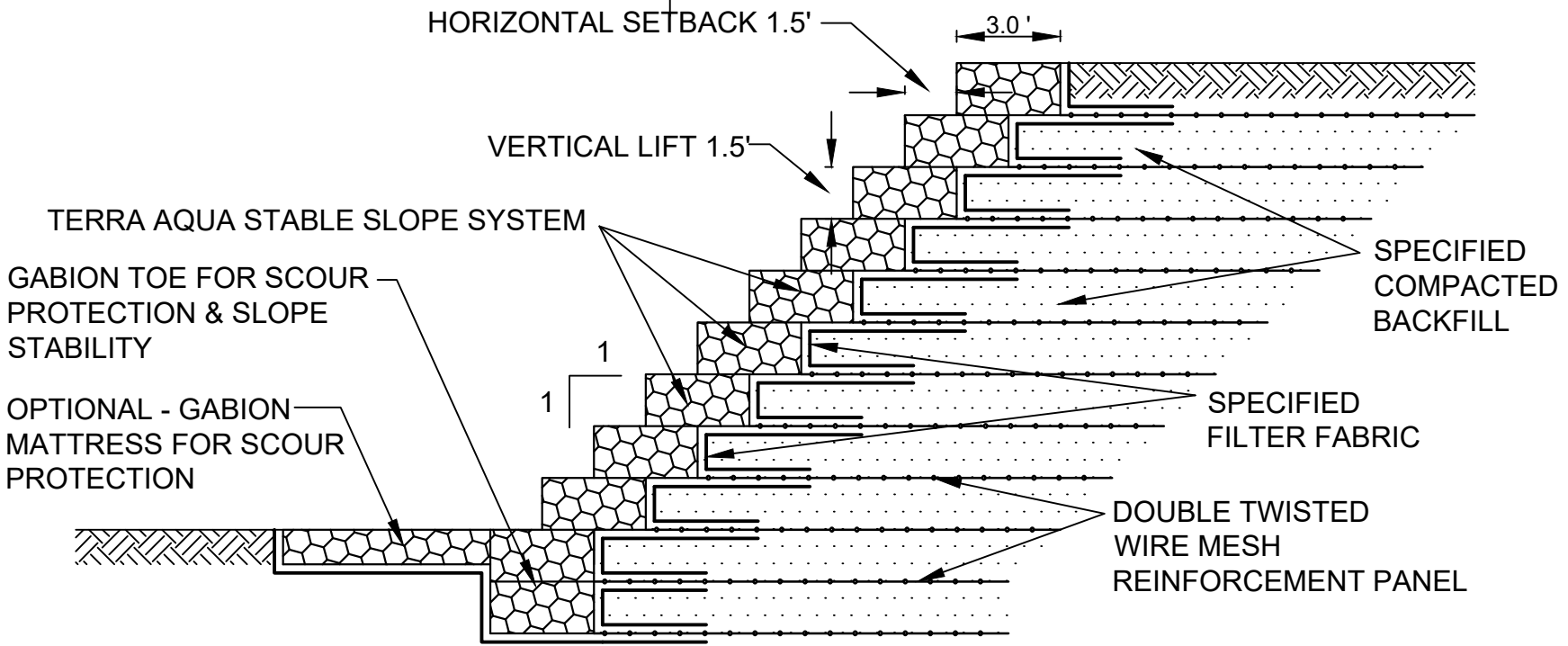
REVISIONS				
ZONE	REV	DESCRIPTION	DATE	APPROVED



## SECTION

		SD # S5C - SLOPE PROTECTION (GABION) (STEPPED) (6' X 1.5') (2 H : 1 V SLOPES)		
		Alliance Geotechnical Solutions, LLC Phone: 918-645-2963 Email: <a href="mailto:alliancegsolutions@gmail.com">alliancegsolutions@gmail.com</a>		
	SIZE	FSCM NO.	DWG NO. <b>AGSS5C</b>	REV
	SCALE	DRAWN BY: T.YU CHECKED BY: COLIN GLASS		SHEET <b>57</b>

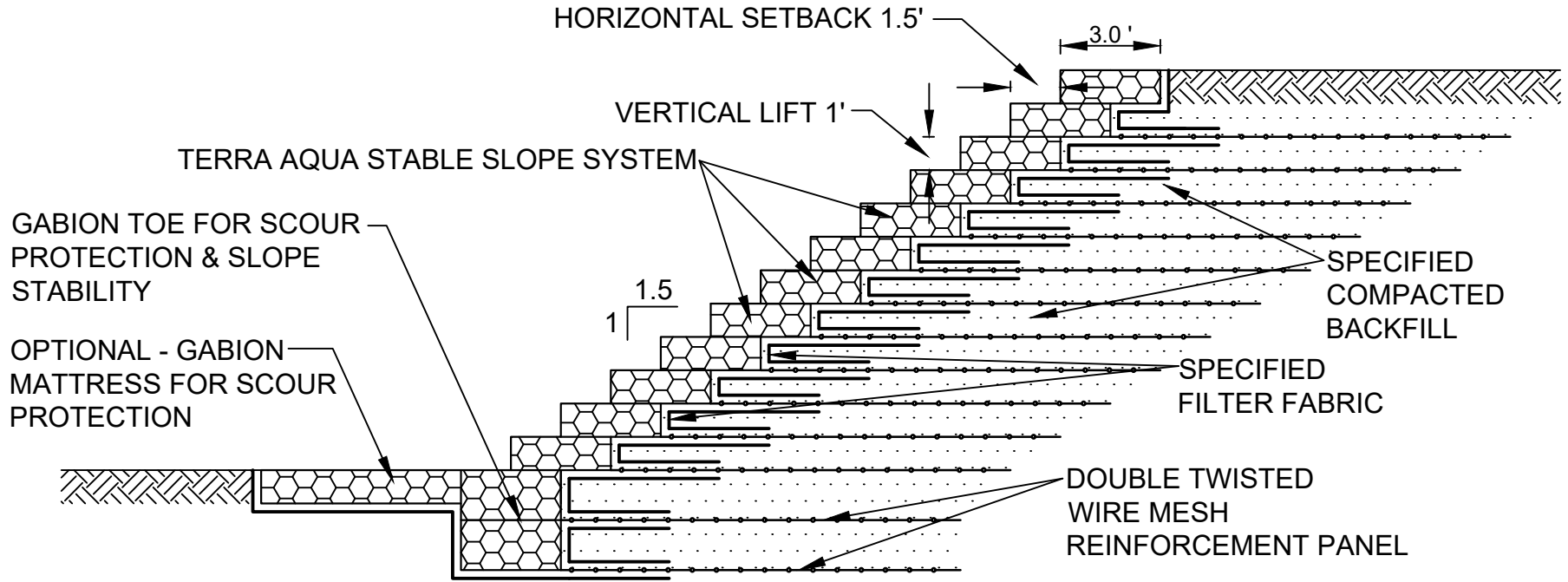
REVISIONS				
ZONE	REV	DESCRIPTION	DATE	APPROVED



# SECTION

		SD # S6A - SLOPE PROTECTION (GABION & REINFORCED SOIL) (1 H : 1 V SLOPE)		
		Alliance Geotechnical Solutions, LLC Phone: 918-645-2963 Email: alliancegsolutions@gmail.com		
SIZE	FSCM NO.	DWG NO.	AGSS6A	
SCALE	DRAWN BY: T.YU CHECKED BY: COLIN GLASS		SHEET	58

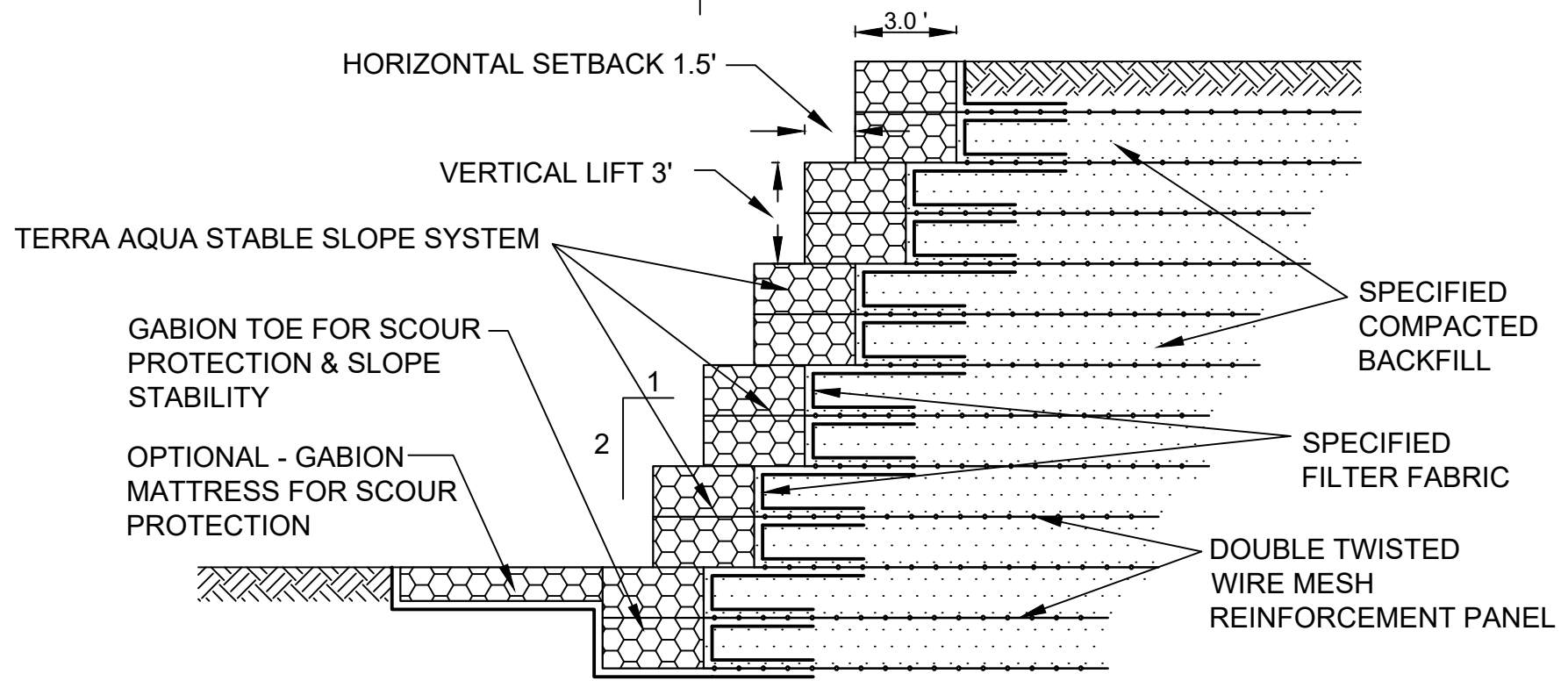
REVISIONS				
ZONE	REV	DESCRIPTION	DATE	APPROVED



**SECTION**

	SD # S6B - SLOPE PROTECTION (GABION & REINFORCED SOIL) (1.5 H : 1 V SLOPE)			
	Alliance Geotechnical Solutions, LLC Phone: 918-645-2963 Email: alliancegsolutions@gmail.com			
	SIZE	FSCM NO.	DWG NO.	REV
			AGSS6B	
	SCALE	DRAWN BY: T.YU CHECKED BY: COLIN GLASS	SHEET	59

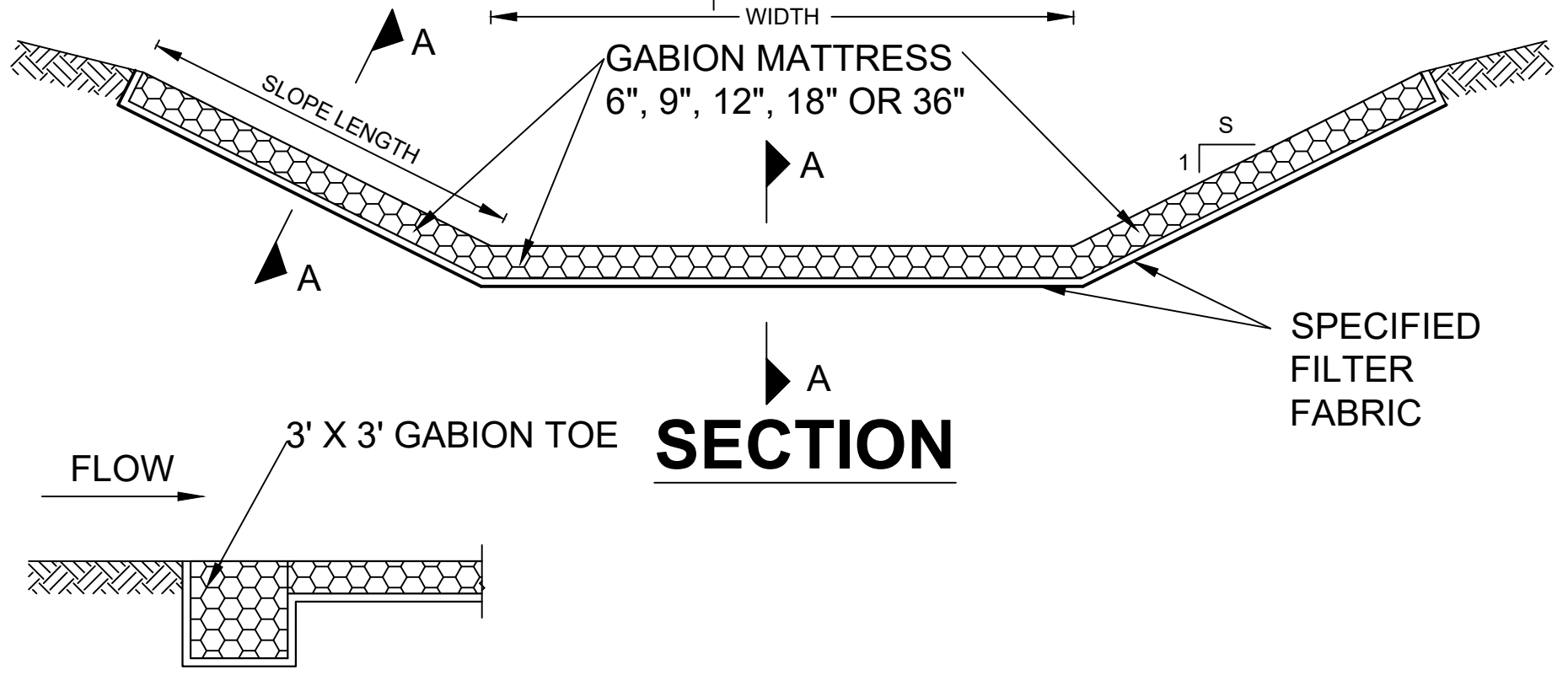
REVISIONS				
ZONE	REV	DESCRIPTION	DATE	APPROVED



## SECTION

		SD # S6C - SLOPE PROTECTION (GABION & REINFORCE SOIL) (H 1 : 2 V SLOPE)		
		Alliance Geotechnical Solutions, LLC Phone: 918-645-2963 Email: alliancegsolutions@gmail.com		
	SIZE	FSCM NO.	DWG NO.	REV
			AGSS6C	
	SCALE	DRAWN BY: T.YU CHECKED BY: COLIN GLASS	SHEET	60

REVISIONS				
ZONE	REV	DESCRIPTION	DATE	APPROVED

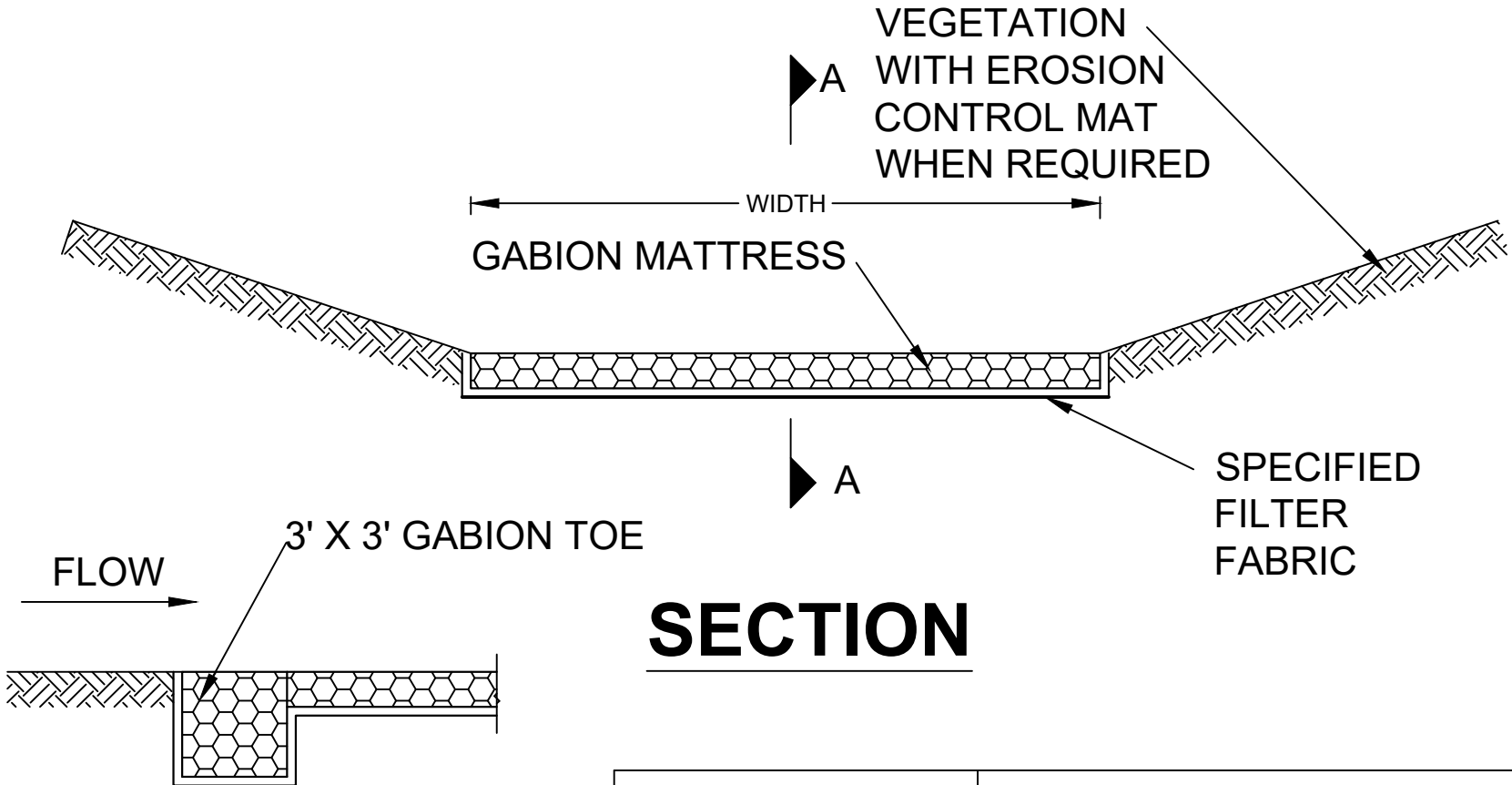


# SECTION

## SECTION A-A (UPSTREAM END ONLY)

		SD # C1A - CHANNEL (TRAPEZOIDAL) (GABION MATTRESS SIDES & BOTTOM )		
		Alliance Geotechnical Solutions, LLC Phone: 918-645-2963 Email: alliancegsolutions@gmail.com		
	SIZE	FSCM NO.	DWG NO. <b>AGSC1A</b>	REV
	SCALE	DRAWN BY: T.YU CHECKED BY: COLIN GLASS		SHEET <b>61</b>

REVISIONS				
ZONE	REV	DESCRIPTION	DATE	APPROVED



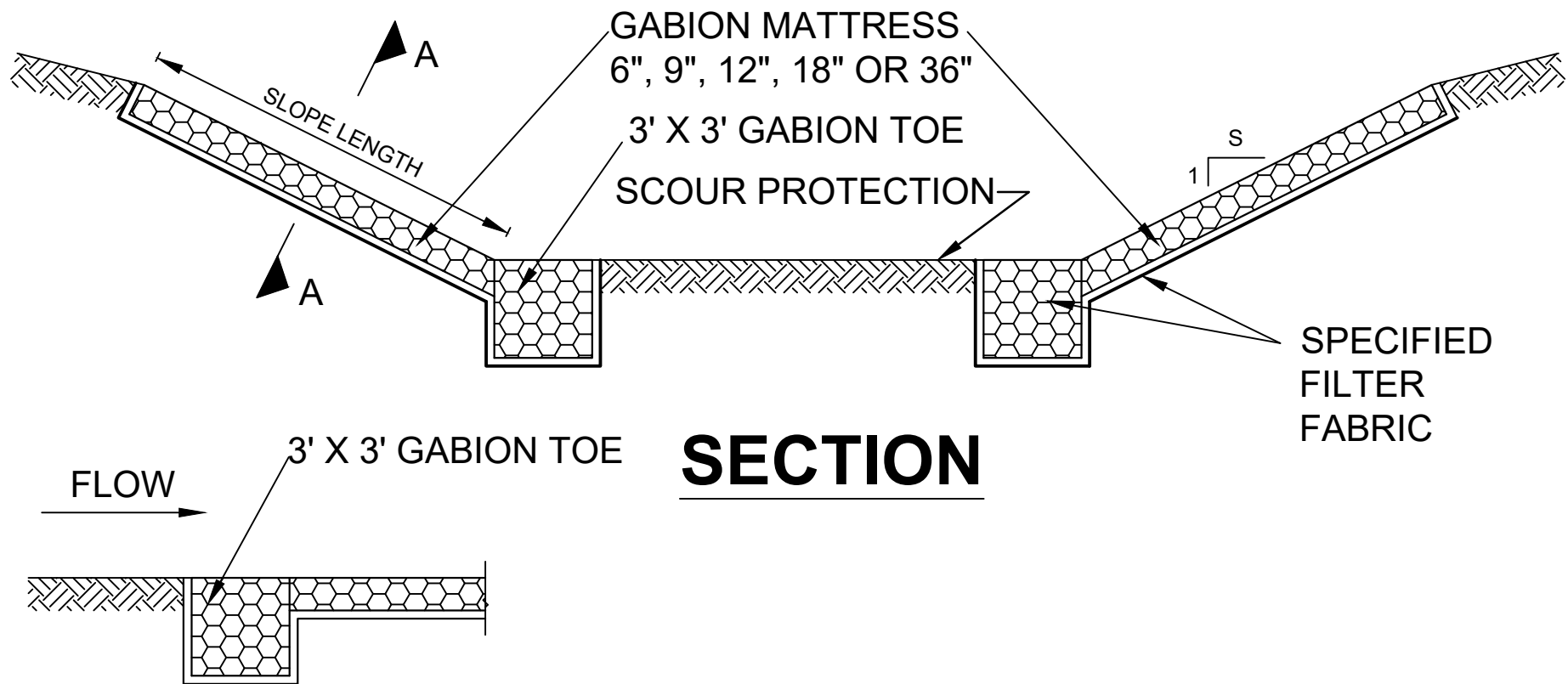
# SECTION

## SECTION A-A (UPSTREAM END ONLY)

		SD # C1B - CHANNEL (GABBION MATTRESS BOTTOM)		
		Alliance Geotechnical Solutions, LLC Phone: 918-645-2963 Email: alliancegsolutions@gmail.com		
	SIZE	FSCM NO.	DWG NO.	REV
			AGSC1B	
	SCALE	DRAWN BY: T.YU CHECKED BY: COLIN GLASS	SHEET	62



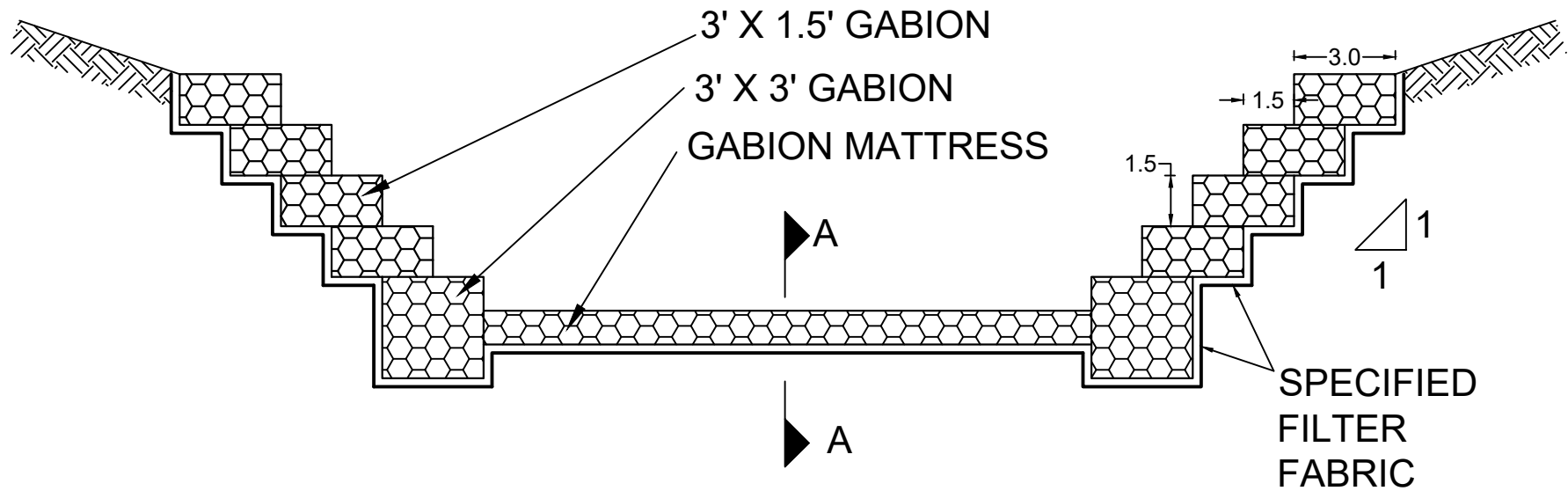
REVISIONS				
ZONE	REV	DESCRIPTION	DATE	APPROVED



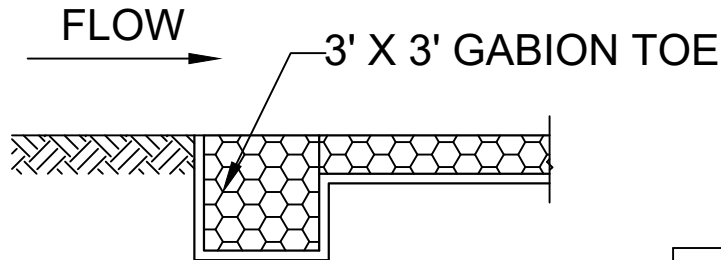
**SECTION A-A**  
(UPSTREAM END ONLY)

		SD # C1C - CHANNEL (GABION MATTRESS SIDES)		
		Alliance Geotechnical Solutions, LLC Phone: 918-645-2963 Email: alliancegsolutions@gmail.com		
	SIZE	FSCM NO.	DWG NO. AGSC1C	REV
	SCALE	DRAWN BY: T.YU CHECKED BY: COLIN GLASS		SHEET 63

REVISIONS				
ZONE	REV	DESCRIPTION	DATE	APPROVED



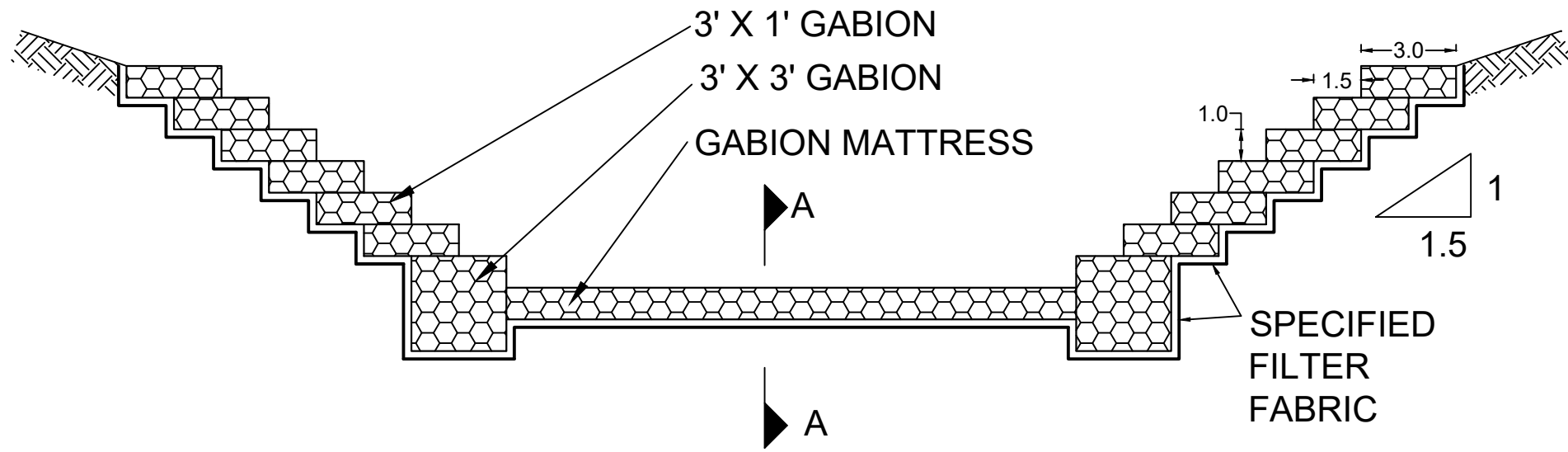
**SECTION**



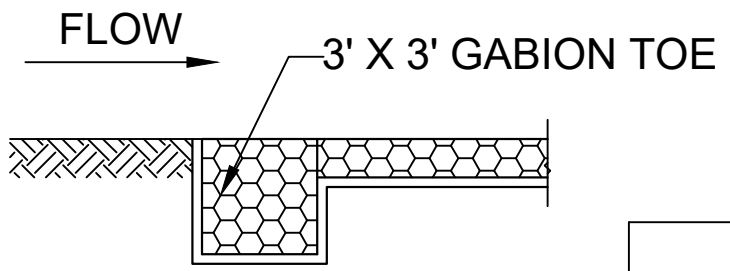
**SECTION A-A**  
(UPSTREAM END ONLY)

		SD # C1D - CHANNEL (GABION MATTRESS BOTTOM) (STEPPED 1H:1V GABION SIDES)		
		Alliance Geotechnical Solutions, LLC Phone: 918-645-2963 Email: alliancegsolutions@gmail.com		
	SIZE	FSCM NO.	DWG NO. AGSC1D	REV
	SCALE	DRAWN BY: T.YU CHECKED BY: COLIN GLASS		SHEET 64

REVISIONS				
ZONE	REV	DESCRIPTION	DATE	APPROVED



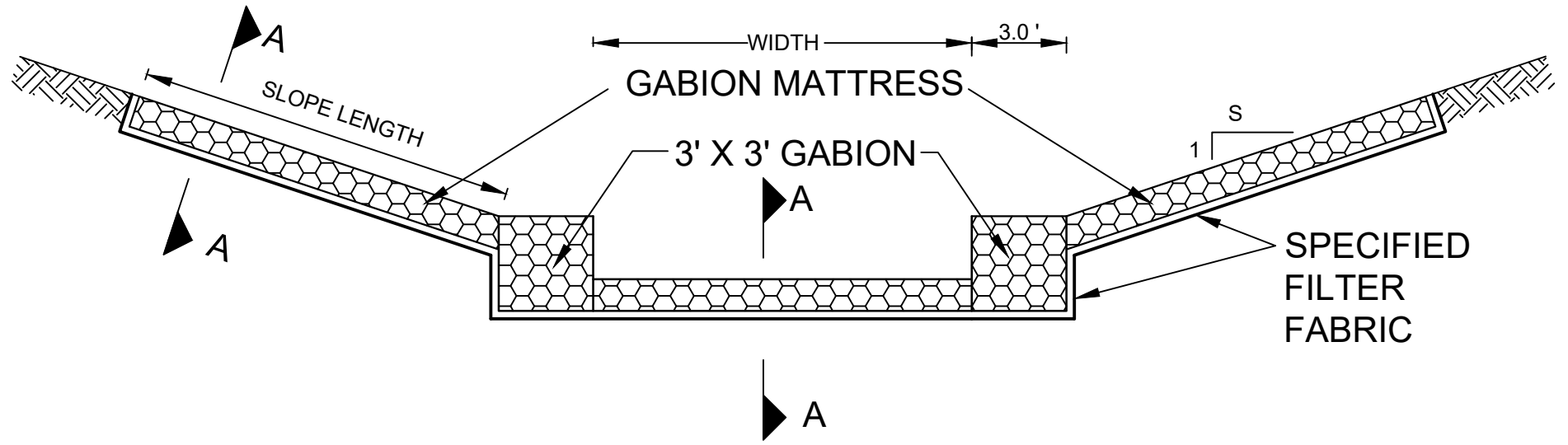
# SECTION



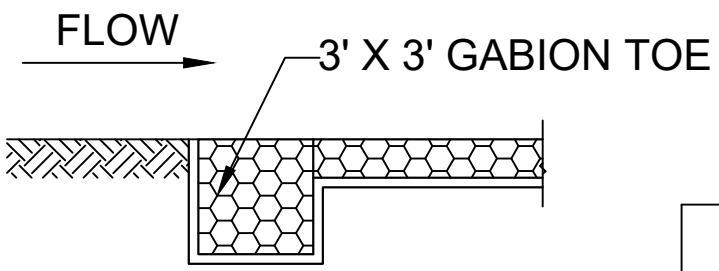
## SECTION A-A (UPSTREAM END ONLY)

		SD # C1E - CHANNEL (GABION MATTRESS BOTTOM) (STEPPED 1.5H:1V GABION SIDES)		
		Alliance Geotechnical Solutions, LLC Phone: 918-645-2963 Email: alliancegsolutions@gmail.com		
	SIZE	FSCM NO.	DWG NO. AGSC1E	REV
	SCALE	DRAWN BY: T.YU CHECKED BY: COLIN GLASS		SHEET 65

REVISIONS				
ZONE	REV	DESCRIPTION	DATE	APPROVED



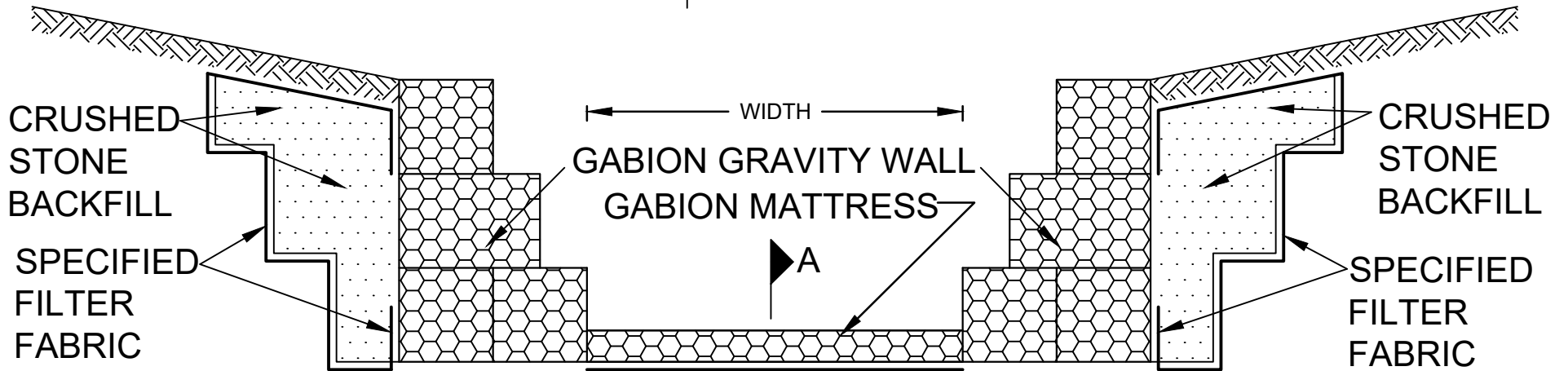
# SECTION



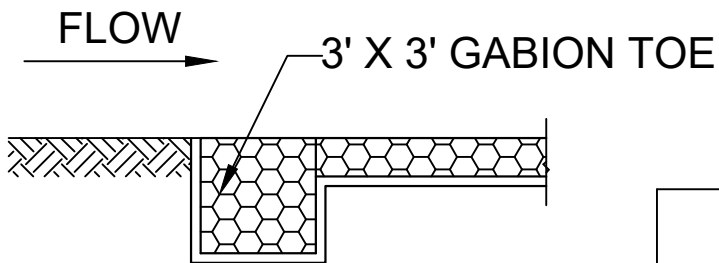
## SECTION A-A (UPSTREAM END ONLY)

		SD # C1F - CHANNEL (GABION MATTRESS SIDES & BOTTOM) ( 3' X 3' GABION WALLS)		
		Alliance Geotechnical Solutions, LLC Phone: 918-645-2963 Email: alliancegsolutions@gmail.com		
	SIZE	FSCM NO.	DWG NO.	REV
			AGSC1F	
	SCALE	DRAWN BY: T.YU CHECKED BY: COLIN GLASS	SHEET	66

REVISIONS				
ZONE	REV	DESCRIPTION	DATE	APPROVED



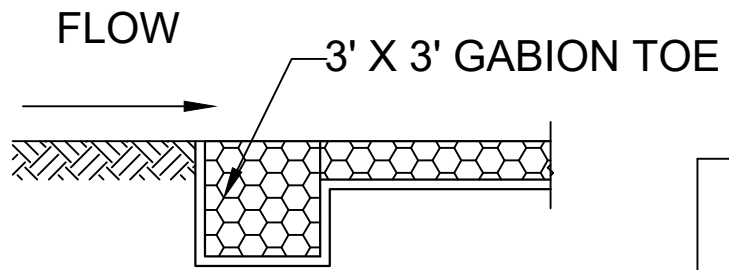
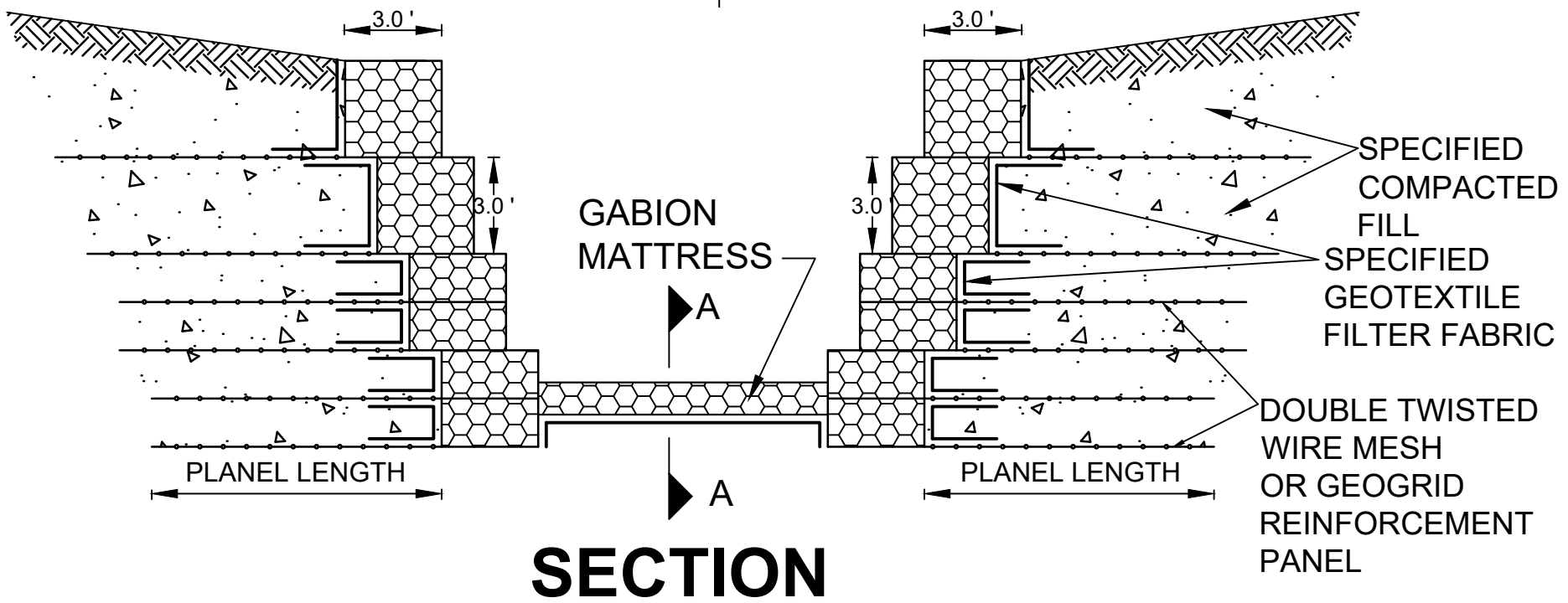
# SECTION



## SECTION A-A (UPSTREAM END ONLY)

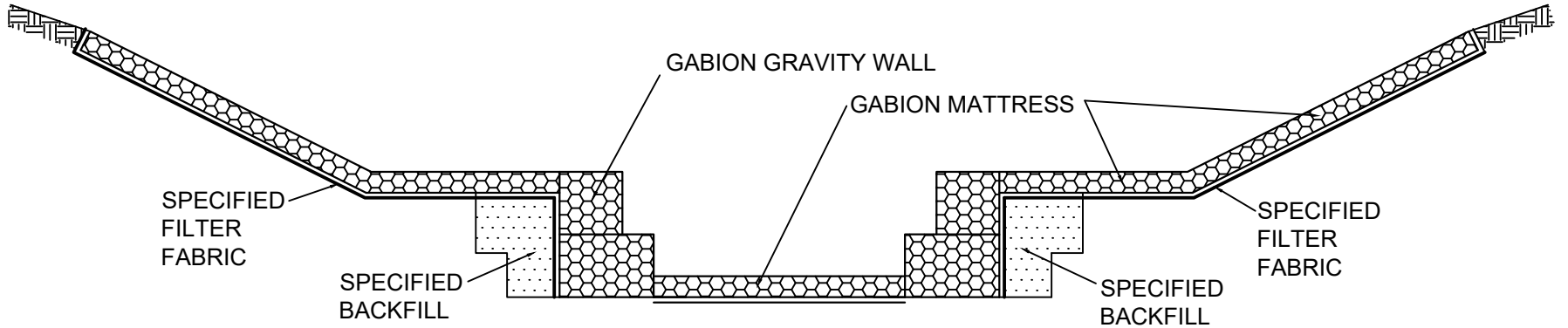
		SD # C1G - CHANNEL (GABBION GRAVITY WALL) (GABBION MATTRESS BOTTOM)		
		Alliance Geotechnical Solutions, LLC Phone: 918-645-2963 Email: alliancegsolutions@gmail.com		
SIZE	FSCM NO.	DWG NO.	AGSC1G	REV
SCALE	DRAWN BY: T.YU CHECKED BY: COLIN GLASS		SHEET 67	

REVISIONS				
ZONE	REV	DESCRIPTION	DATE	APPROVED



**SECTION A-A**  
(UPSTREAM END ONLY)

SD # C1H - CHANNEL (STABLE SLOPES) (GABION MATTRESS BOTTOM)				
Alliance Geotechnical Solutions, LLC Phone: 918-645-2963 Email: alliancegsolutions@gmail.com				
SIZE	FSCM NO.	DWG NO.	AGSC1H	REV
SCALE	DRAWN BY: T.YU CHECKED BY: COLIN GLASS		SHEET 68	



SPECIFIED  
FILTER  
FABRIC

SPECIFIED  
BACKFILL

GABION GRAVITY WALL

GABION MATTRESS

SPECIFIED  
BACKFILL

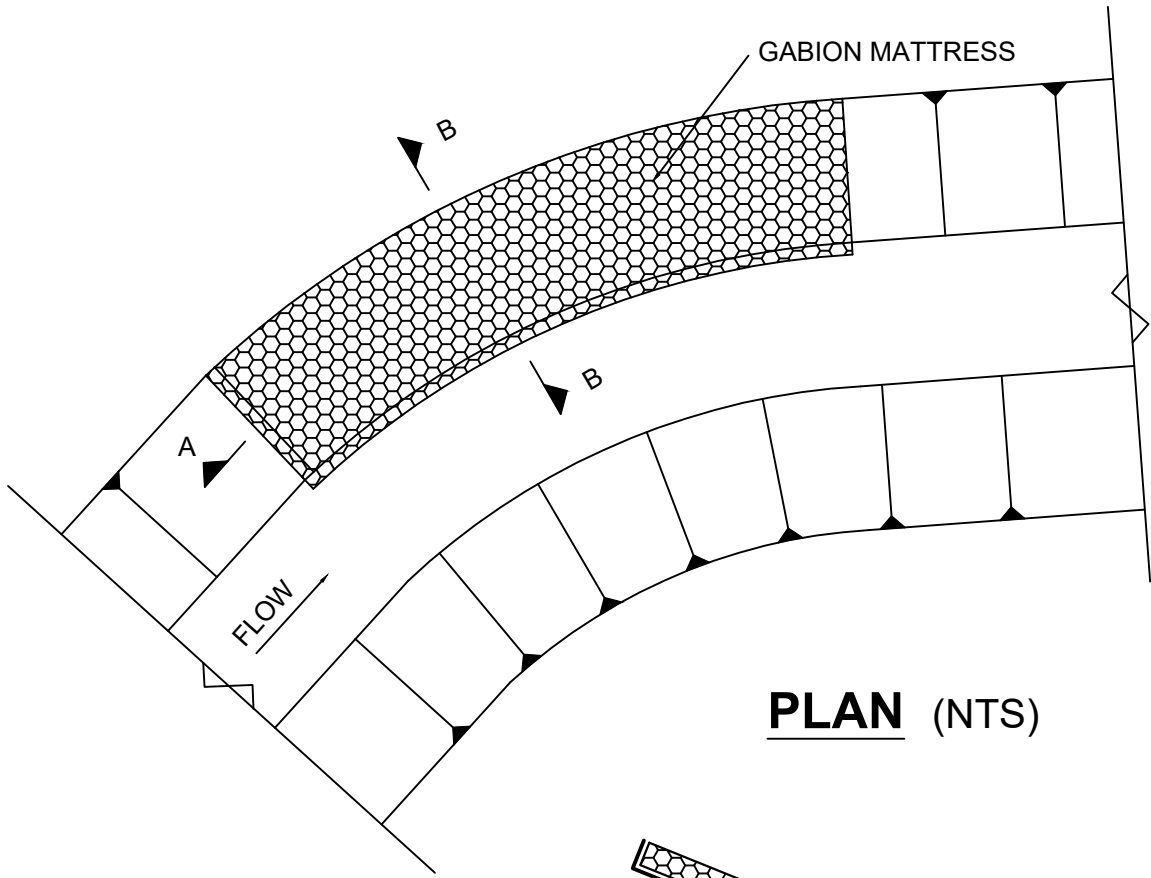
SPECIFIED  
FILTER  
FABRIC

**SECTION**

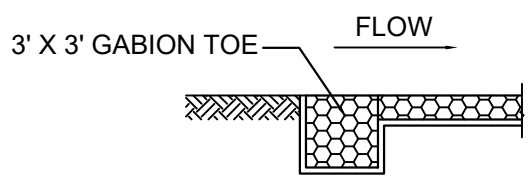
SD # C1F - CHANNEL  
(GABION MATTRESS & 3' X 3' WALL)

					SD # C1I - CHANNEL (GABION GRAVITY WALLS) (GABION MATTRESS SIDES, BENCHES & BOTTOM)				
					Alliance Geotechnical Solutions, LLC Phone: 918-645-2963 Email: <a href="mailto:alliancegsolutions@gmail.com">alliancegsolutions@gmail.com</a>				
		SIZE	FSCM NO.	DWG NO.		AGSC1I		REV	
		SCALE		DRAWN BY: T.YU CHECKED BY: COLIN GLASS		SHEET 69			

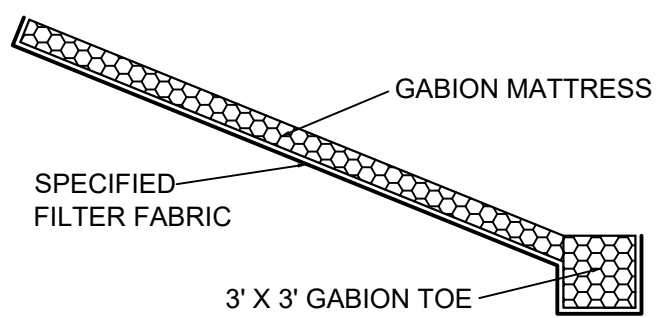
REVISIONS				
ZONE	REV	DESCRIPTION	DATE	APPROVED



**PLAN (NTS)**



**SECTION A**  
(UPSTREAM END ONLY)

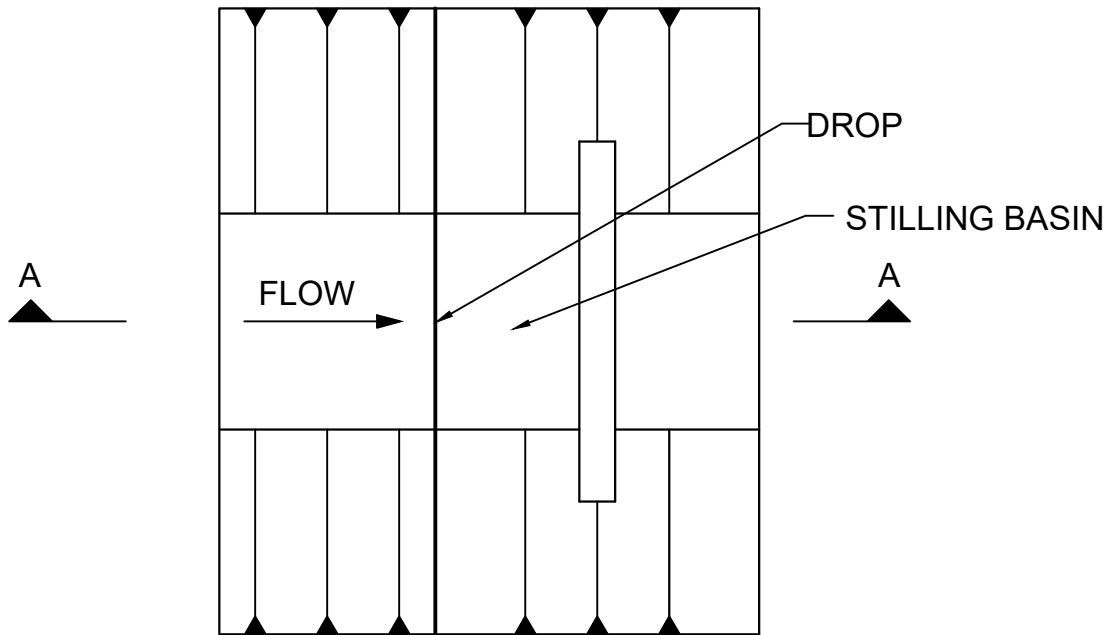


**SECTION B-B**

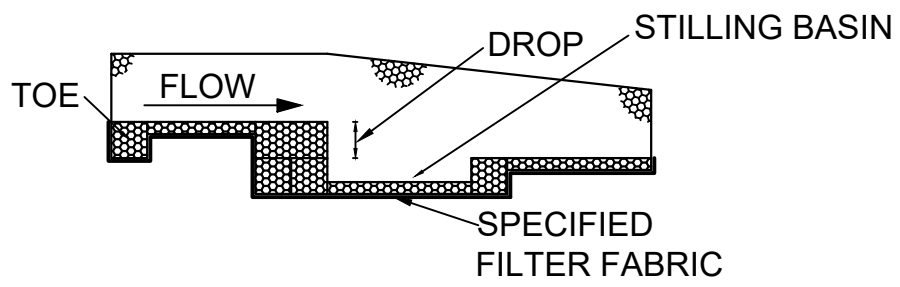
	SD # C1J - CHANNEL (GABION MATTRESS SLOPE PROTECTION) (3' X 3' GABION TOE)			
	Alliance Geotechnical Solutions, LLC Phone: 918-645-2963 Email: alliancegsolutions@gmail.com			
	SIZE	FSCM NO.	DWG NO. AGSC1J	REV
	SCALE	DRAWN BY: T.YU CHECKED BY: COLIN GLASS		SHEET 70



REVISIONS				
ZONE	REV	DESCRIPTION	DATE	APPROVED



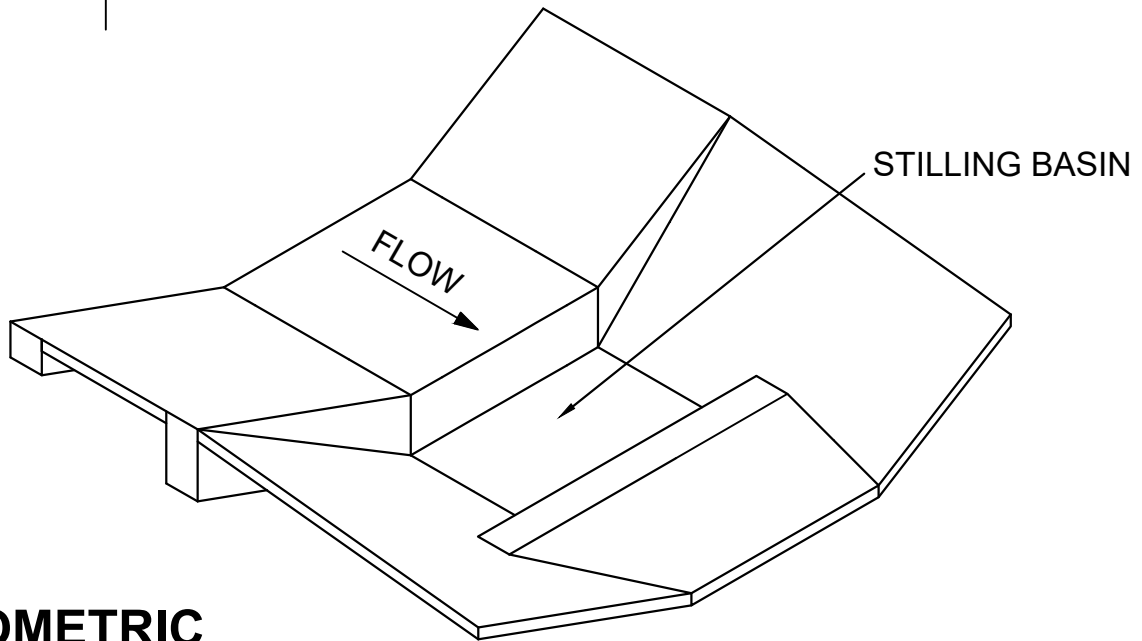
**PLAN**



**SECTION A-A**

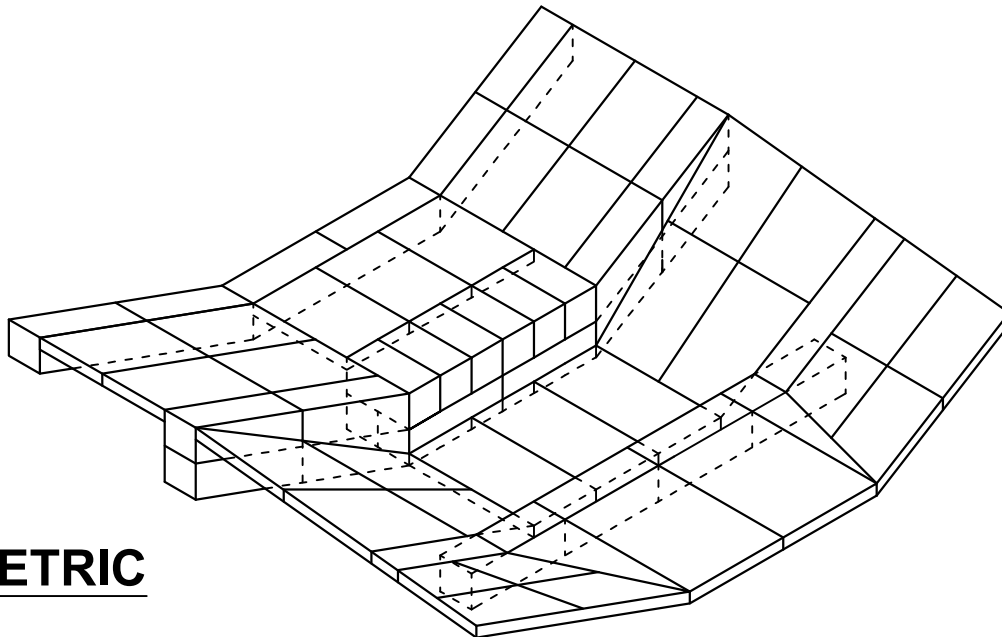
	SD # C2A - GABION DROP STRUCTURE WITH STILLING BASIN PLAN & SECTION			
	Alliance Geotechnical Solutions, LLC Phone: 918-645-2963 Email: alliancegsolutions@gmail.com			
	SIZE	FSCM NO.	DWG NO.	REV
			AGSC2A	
	SCALE	DRAWN BY: T.YU CHECKED BY: COLIN GLASS	SHEET	71

REVISIONS				
ZONE	REV	DESCRIPTION	DATE	APPROVED



**ISOMETRIC**

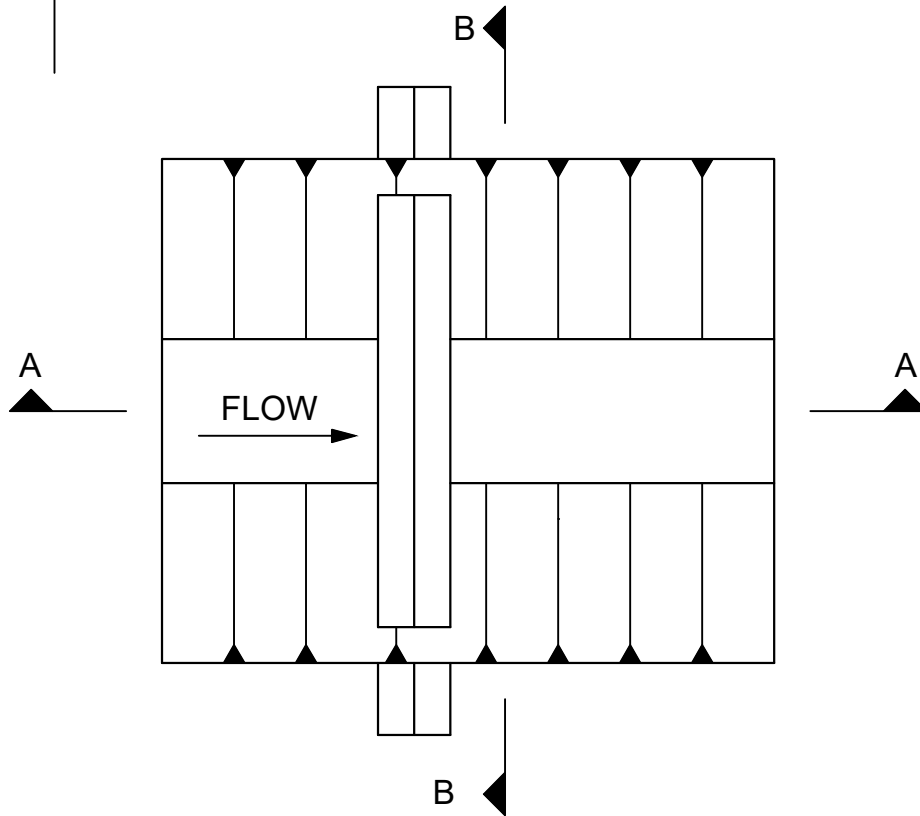
(lines removed for clarity)



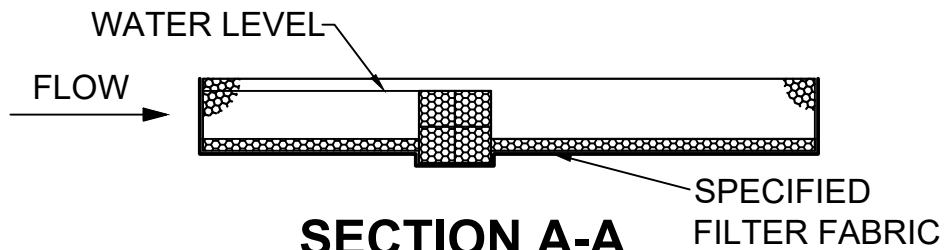
**ISOMETRIC**

	SD # C2B - GABION DROP STRUCTURE WITH STILLING BASIN ISOMETRIC VIEW			
	Alliance Geotechnical Solutions, LLC Phone: 918-645-2963 Email: alliancegsolutions@gmail.com			
	SIZE	FSCM NO.	DWG NO.	REV
			AGSC2B	
	SCALE	DRAWN BY: T.YU CHECKED BY: COLIN GLASS		SHEET 72

REVISIONS				
ZONE	REV	DESCRIPTION	DATE	APPROVED



**PLAN**



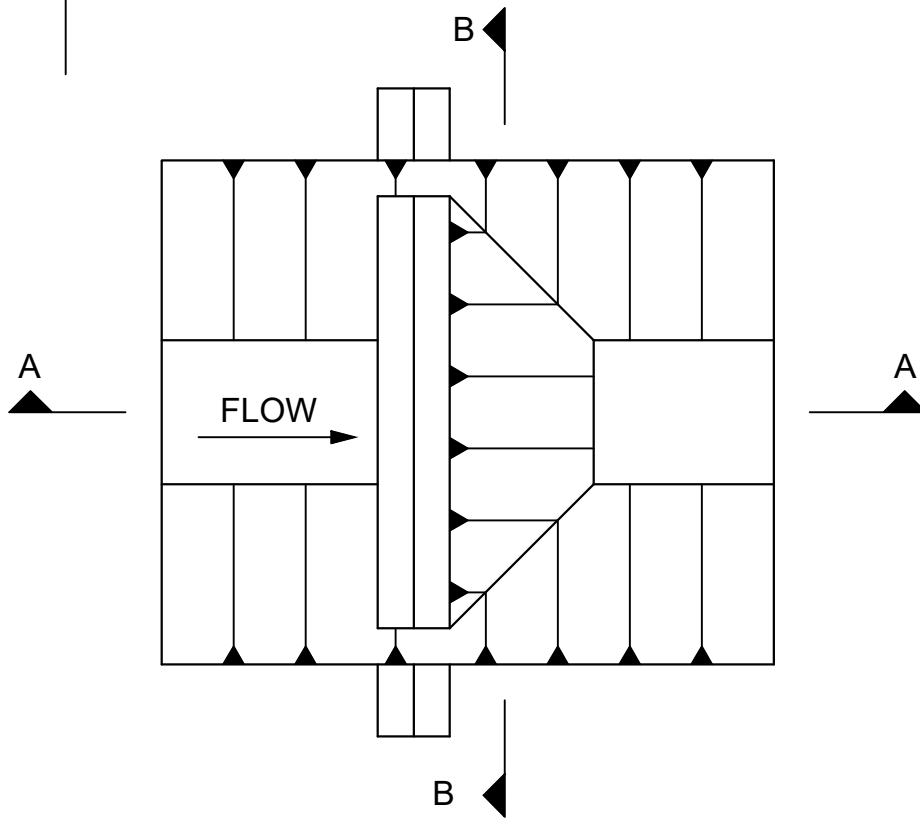
**SECTION A-A**



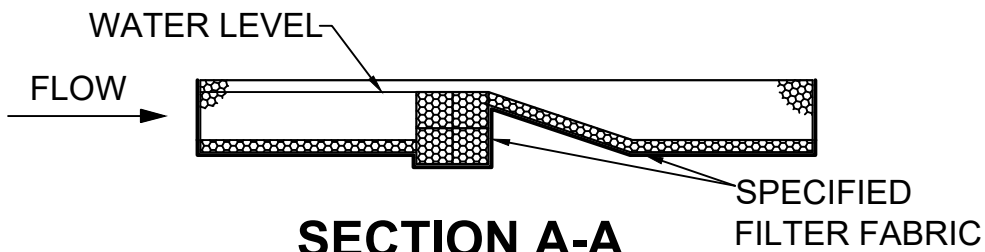
**SECTION B-B**

		SD # C3 - GABION WEIR (DOWNSTREAM DROP)		
		Alliance Geotechnical Solutions, LLC Phone: 918-645-2963 Email: alliancegsolutions@gmail.com		
	SIZE	FSCM NO.	DWG NO. AGSC3	REV
	SCALE	DRAWN BY: T.YU CHECKED BY: COLIN GLASS		SHEET 73

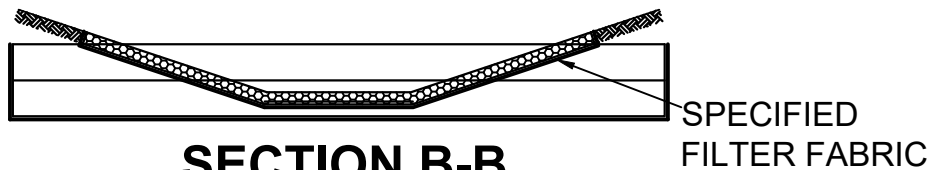
REVISIONS				
ZONE	REV	DESCRIPTION	DATE	APPROVED



**PLAN**



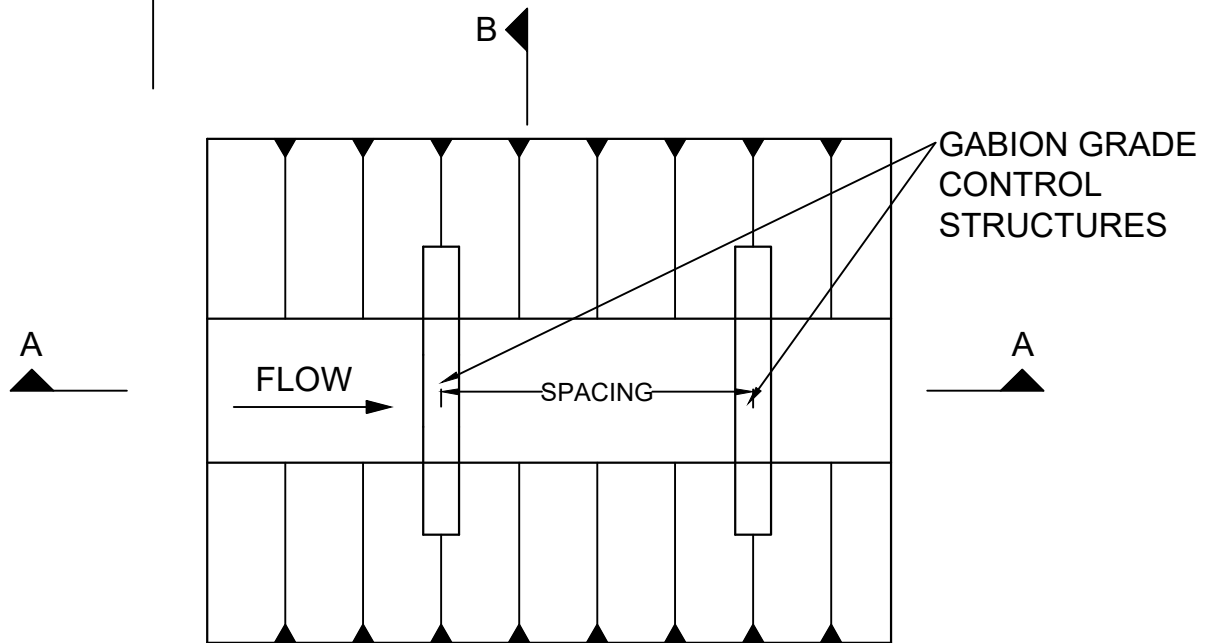
**SECTION A-A**



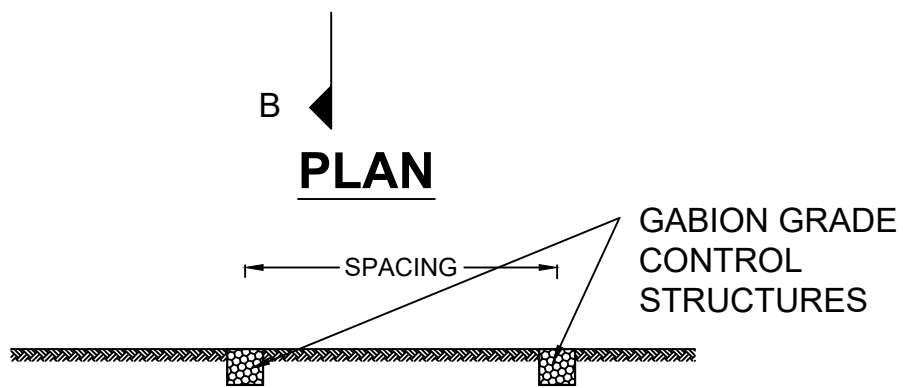
**SECTION B-B**

		SD # C4 - GABION WEIR (DOWNSTREAM SLOPE)		
		Alliance Geotechnical Solutions, LLC Phone: 918-645-2963 Email: alliancegsolutions@gmail.com		
	SIZE	FSCM NO.	DWG NO. AGSC4	REV
	SCALE	DRAWN BY: T.YU CHECKED BY: COLIN GLASS		SHEET 74

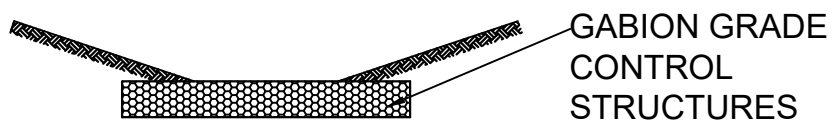
REVISIONS				
ZONE	REV	DESCRIPTION	DATE	APPROVED



**PLAN**



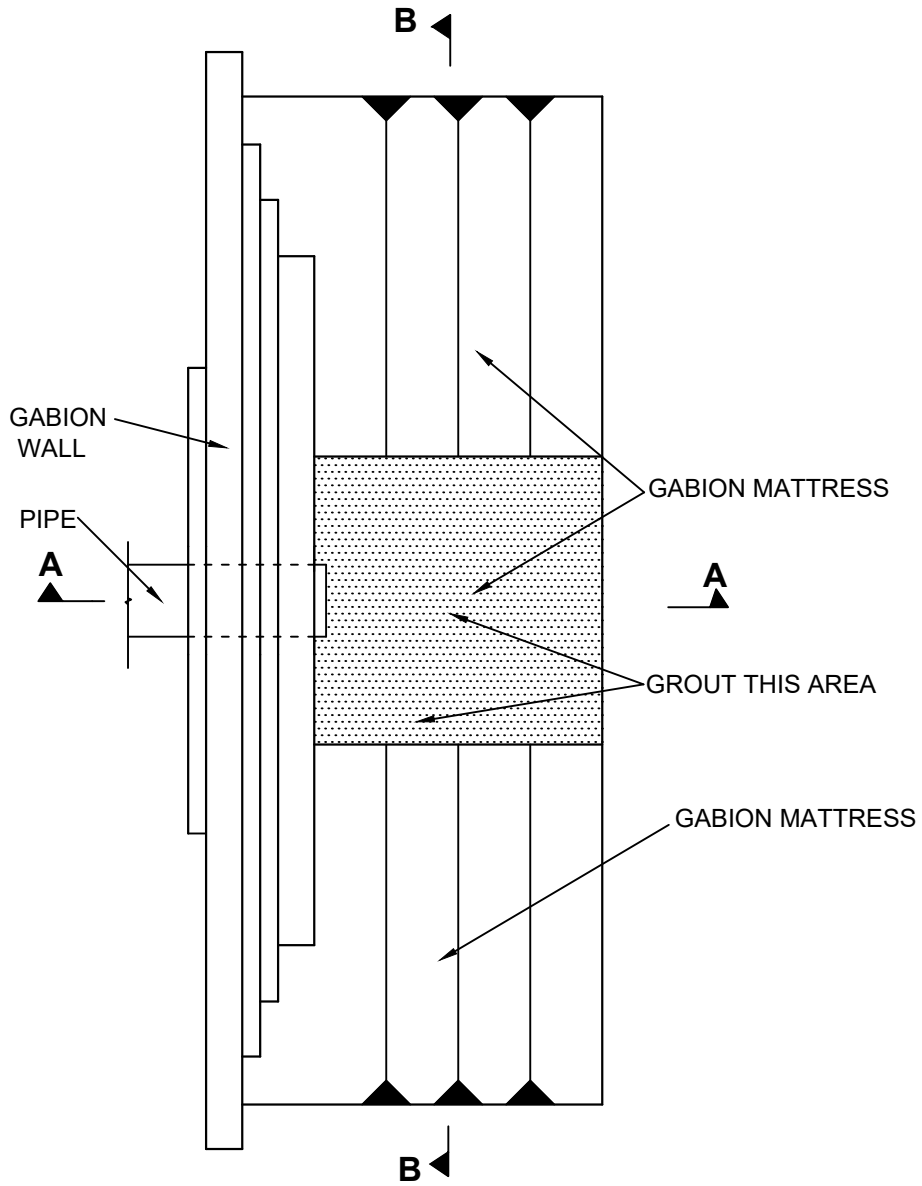
**SECTION A-A**



**SECTION B-B**

	SD # C5 - GABION GRADE CONTROL STRUCTURES			
	Alliance Geotechnical Solutions, LLC Phone: 918-645-2963 Email: alliancegsolutions@gmail.com			
	SIZE	FSCM NO.	DWG NO. AGSC5	REV
	SCALE	DRAWN BY: T.YU CHECKED BY: COLIN GLASS		SHEET 75

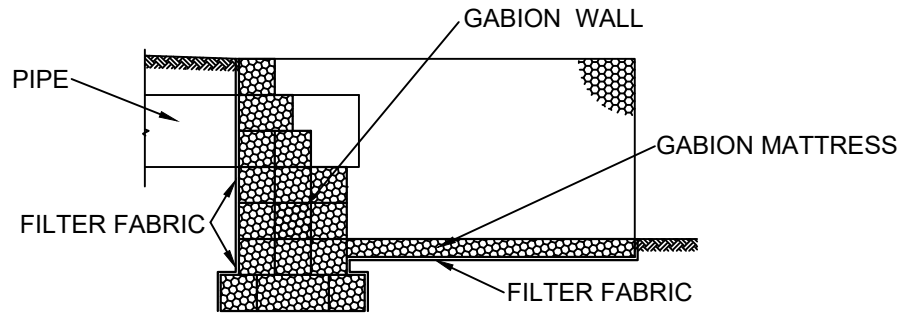
REVISIONS				
ZONE	REV	DESCRIPTION	DATE	APPROVED



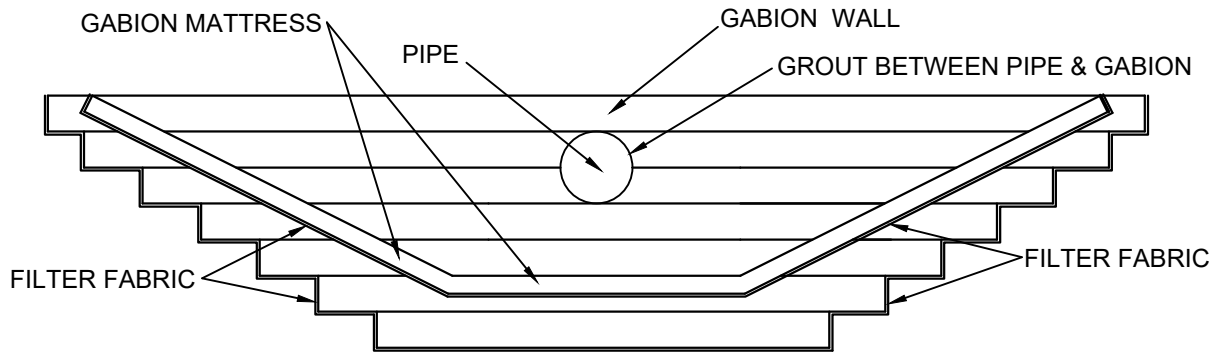
**PLAN**

		SD # M1A- GABION HEADWALL PLAN		
		Alliance Geotechnical Solutions, LLC Phone: 918-645-2963 Email: alliancegsolutions@gmail.com		
	SIZE	FSCM NO.	DWG NO.	REV
			AGSM1A	
	SCALE	DRAWN BY: T.YU CHECKED BY: COLIN GLASS	SHEET	76

REVISIONS				
ZONE	REV	DESCRIPTION	DATE	APPROVED



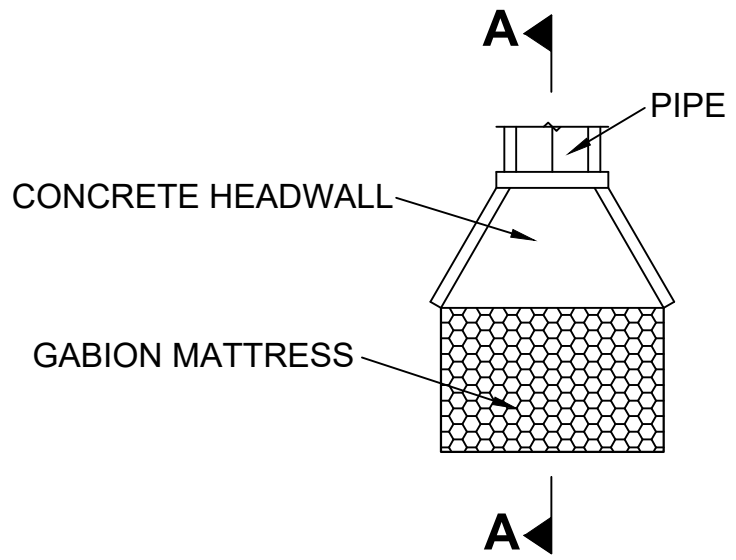
**SECTION A-A**



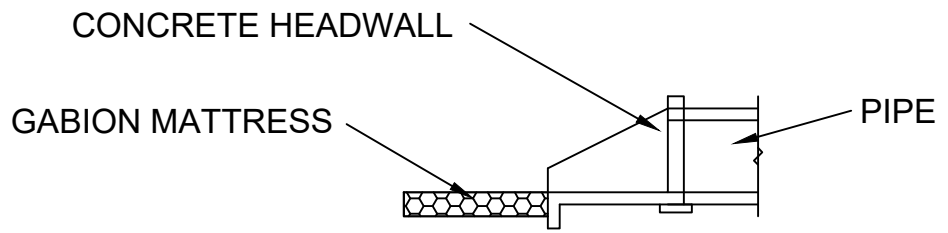
**SECTION B-B**

		SD # M1B- GABION HEADWALL SECTIONS		
		Alliance Geotechnical Solutions, LLC Phone: 918-645-2963 Email: alliancegsolutions@gmail.com		
	SIZE	FSCM NO.	DWG NO. <b>AGSM1B</b>	REV
	SCALE	DRAWN BY: T.YU CHECKED BY: COLIN GLASS		SHEET <b>77</b>

REVISIONS				
ZONE	REV	DESCRIPTION	DATE	APPROVED



**PLAN**



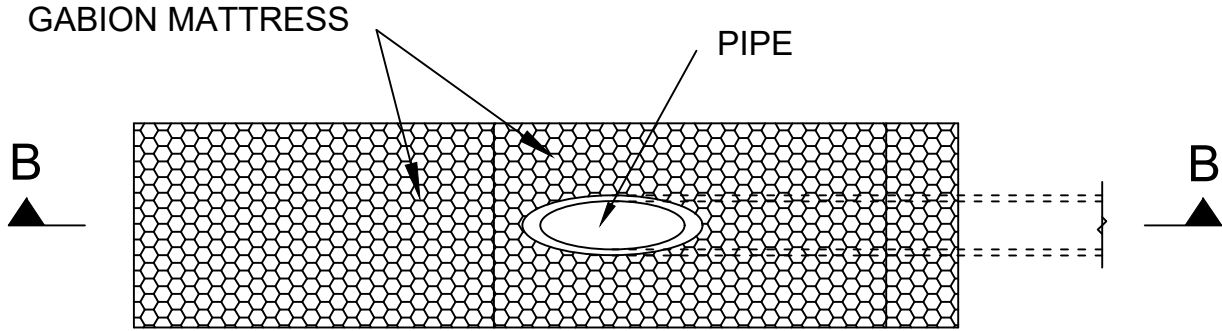
**SECTION A-A**

	SD # M2- CONCRETE HEADWALL WITH GABION MATTRESSES			
	Alliance Geotechnical Solutions, LLC Phone: 918-645-2963 Email: alliancegsolutions@gmail.com			
	SIZE	FSCM NO.	DWG NO.	REV
			AGSM2	
	SCALE	DRAWN BY: T.YU CHECKED BY: COLIN GLASS		SHEET 78

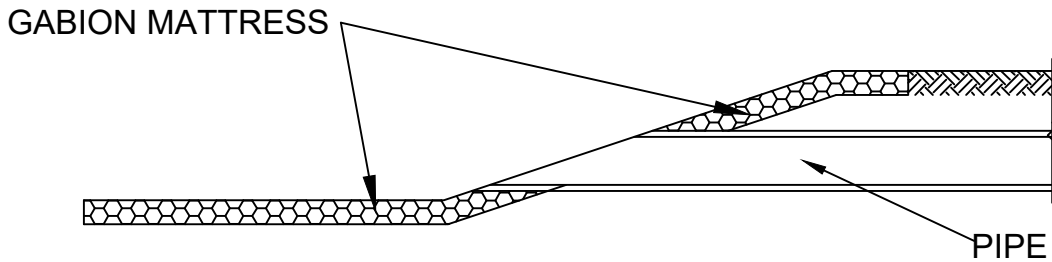




REVISIONS				
ZONE	REV	DESCRIPTION	DATE	APPROVED



## PLAN

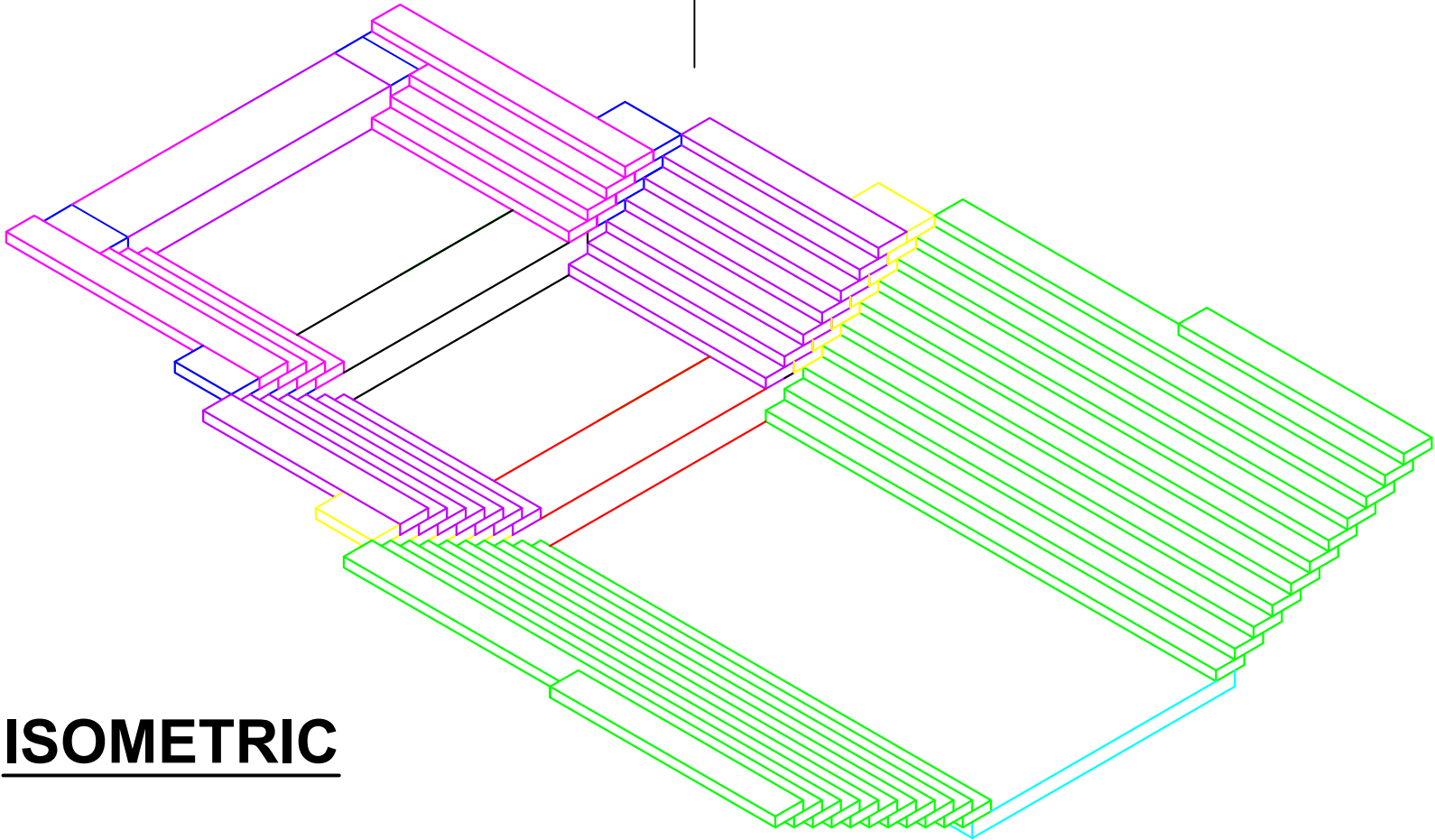


## SECTION B-B

	SD # M3- GABION SLOPED HEADWALL			
	Alliance Geotechnical Solutions, LLC Phone: 918-645-2963 Email: alliancegsolutions@gmail.com			
	SIZE	FSCM NO.	DWG NO.	REV
			AGSM3	
	SCALE	DRAWN BY: T.YU CHECKED BY: COLIN GLASS		SHEET 79



REVISIONS				
ZONE	REV	DESCRIPTION	DATE	APPROVED



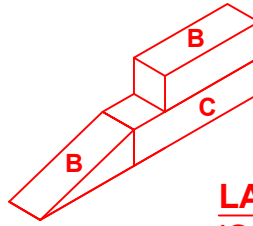
**ISOMETRIC**

		SD # M4A - CHANNEL DROP STRUCTURES ISOMETRIC		
		Alliance Geotechnical Solutions, LLC Phone: 918-645-2963 Email: <a href="mailto:alliancegsolutions@gmail.com">alliancegsolutions@gmail.com</a>		
	SIZE	FSCM NO.	DWG NO. <b>AGSM4A</b>	REV
	SCALE	DRAWN BY: T.YU CHECKED BY: COLIN GLASS		SHEET <b>80</b>

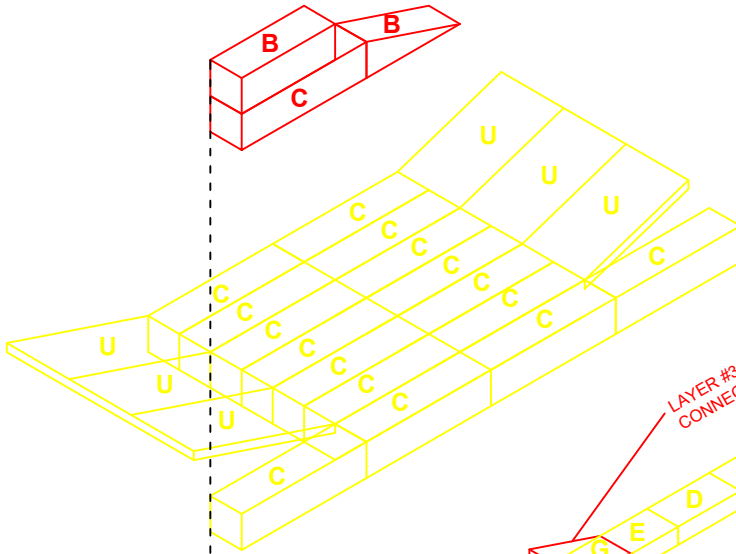
REVISIONS				
ZONE	REV	DESCRIPTION	DATE	APPROVED

**KEY / QUANTITY**

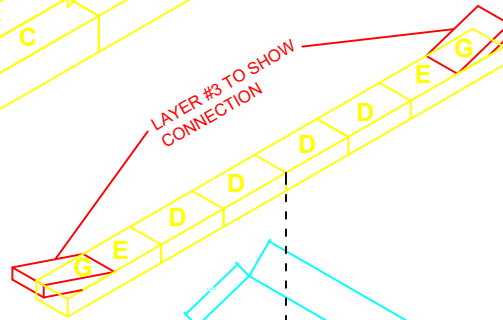
- B: 9' X 3' X 3'      4 EACH
- C: 12' X 3' X 3'    36 EACH
- D: 6' X 3' X 1'-6"   6 EACH
- E: 9' X 3' X 1-6"   2 EACH
- 2E: 9' X 6' X 1-6"   4 EACH
- 2F: 12' X 6' X 1-6" 4 EACH
- G: 6' X 3' X 1'      2 EACH
- T: 9' X 6' X 9"      10 EACH
- U: 12' X 6' X 9"     12 EACH



**LAYER #3 & 4 (TOP 2 LAYERS)**  
ISOMETRIC VIEW(NTS)



**LAYER #2 (MIDDLE LAYER)**  
ISOMETRIC VIEW (NTS)

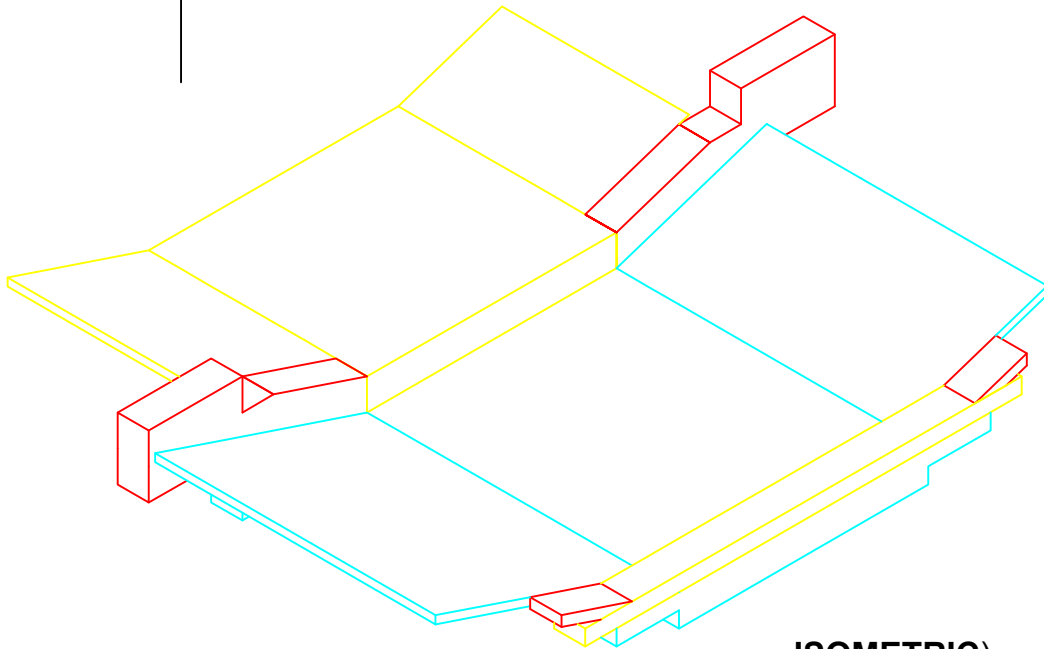


**LAYER #1 (BOTTOM LAYER)**  
ISOMETRIC VIEW (NTS)

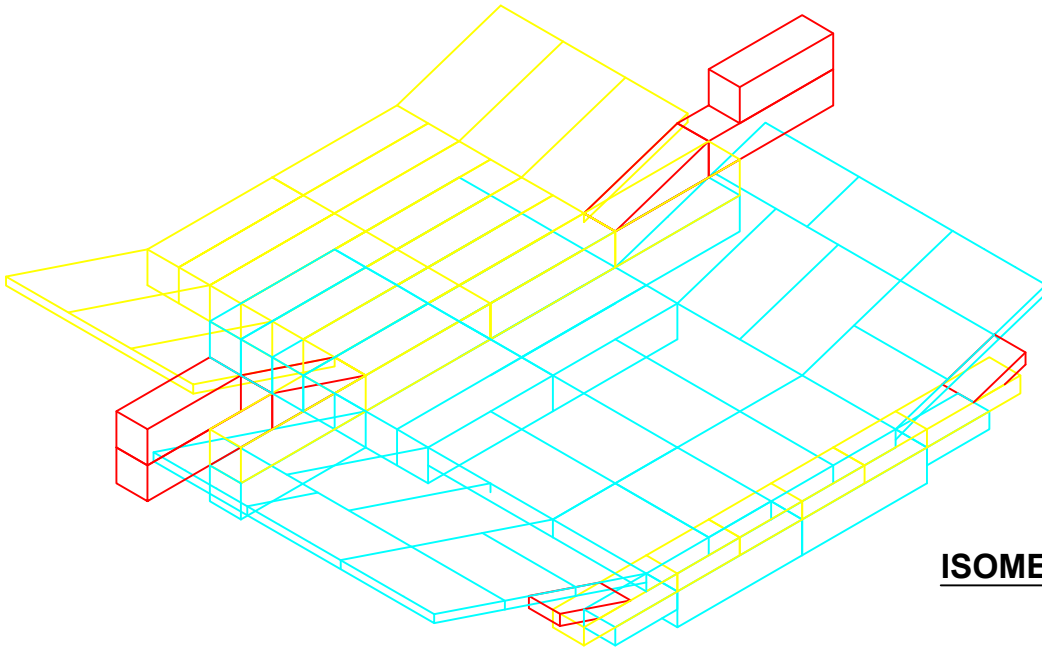
		SD # M4B- GABION DROP STRUCTURE INSTALLATION DRAWINGS - ISOMETRIC		
		Alliance Geotechnical Solutions, LLC Phone: 918-645-2963 Email: alliancegsolutions@gmail.com		
SIZE	FSCM NO.	DWG NO.	AGSM4B	
SCALE	DRAWN BY: T.YU CHECKED BY: COLIN GLASS	SHEET	81	



REVISIONS				
ZONE	REV	DESCRIPTION	DATE	APPROVED



**ISOMETRIC)**  
LINES REMOVED



**ISOMETRIC)**

**SD # M4C- GABION DROP STRUCTURE  
ISOMETRIC**

Alliance Geotechnical Solutions, LLC  
Phone: 918-645-2963  
Email: alliancegsolutions@gmail.com

SIZE	FSCM NO.	DWG NO.	REV
------	----------	---------	-----

**AGSM4C**

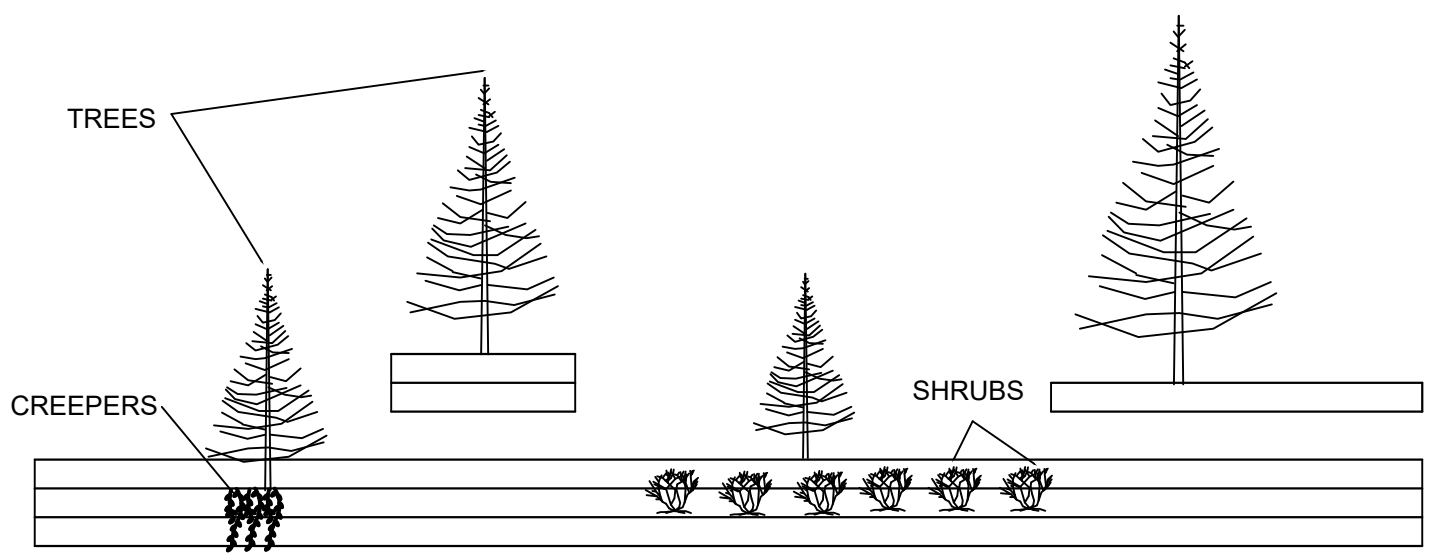
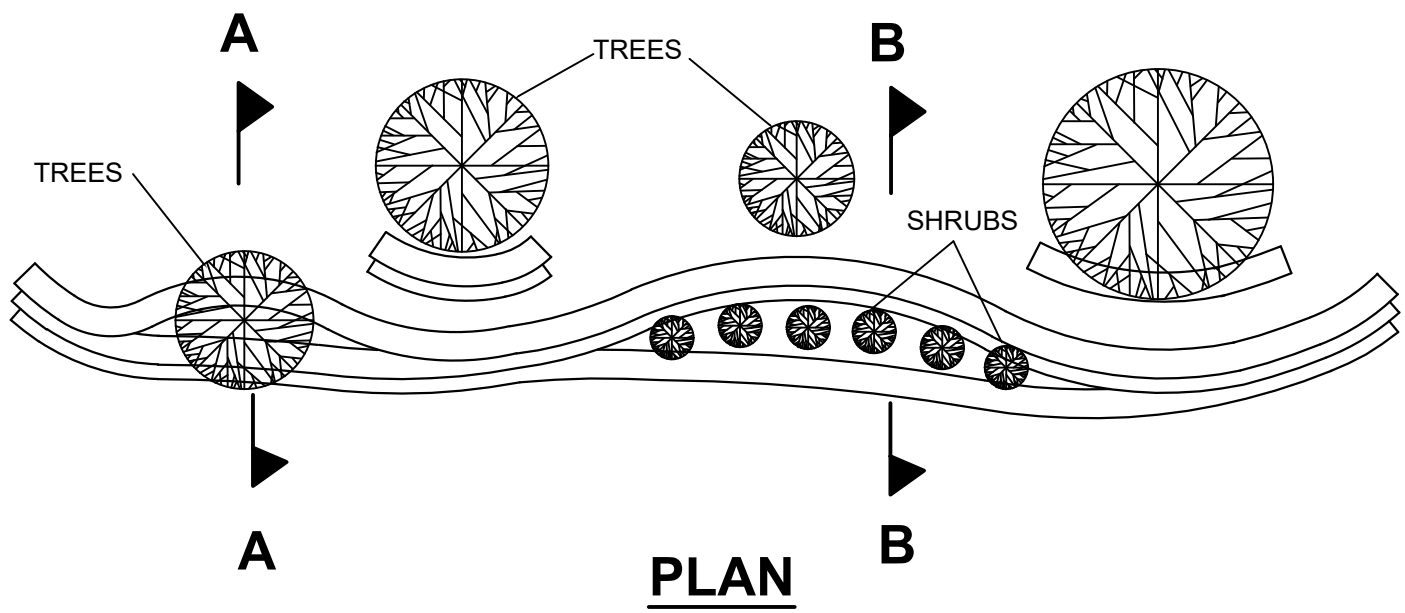
SCALE

DRAWN BY: T.YU  
CHECKED BY: COLIN GLASS

SHEET **82**

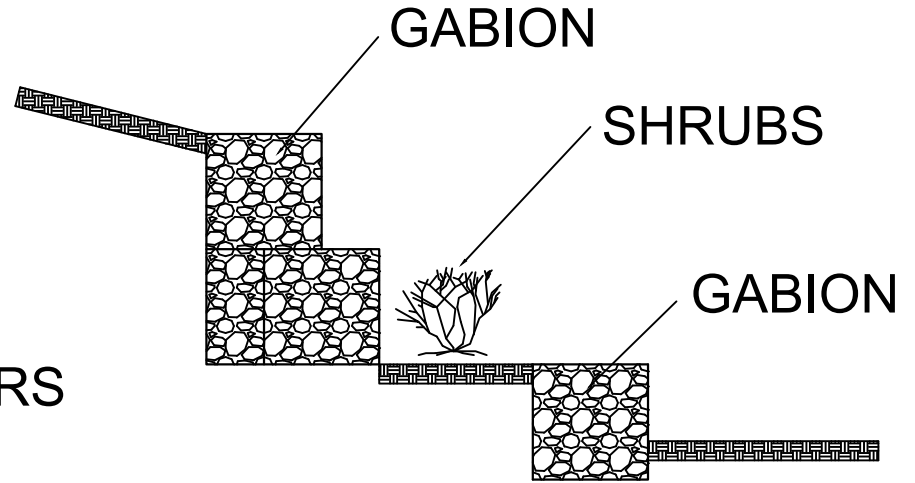
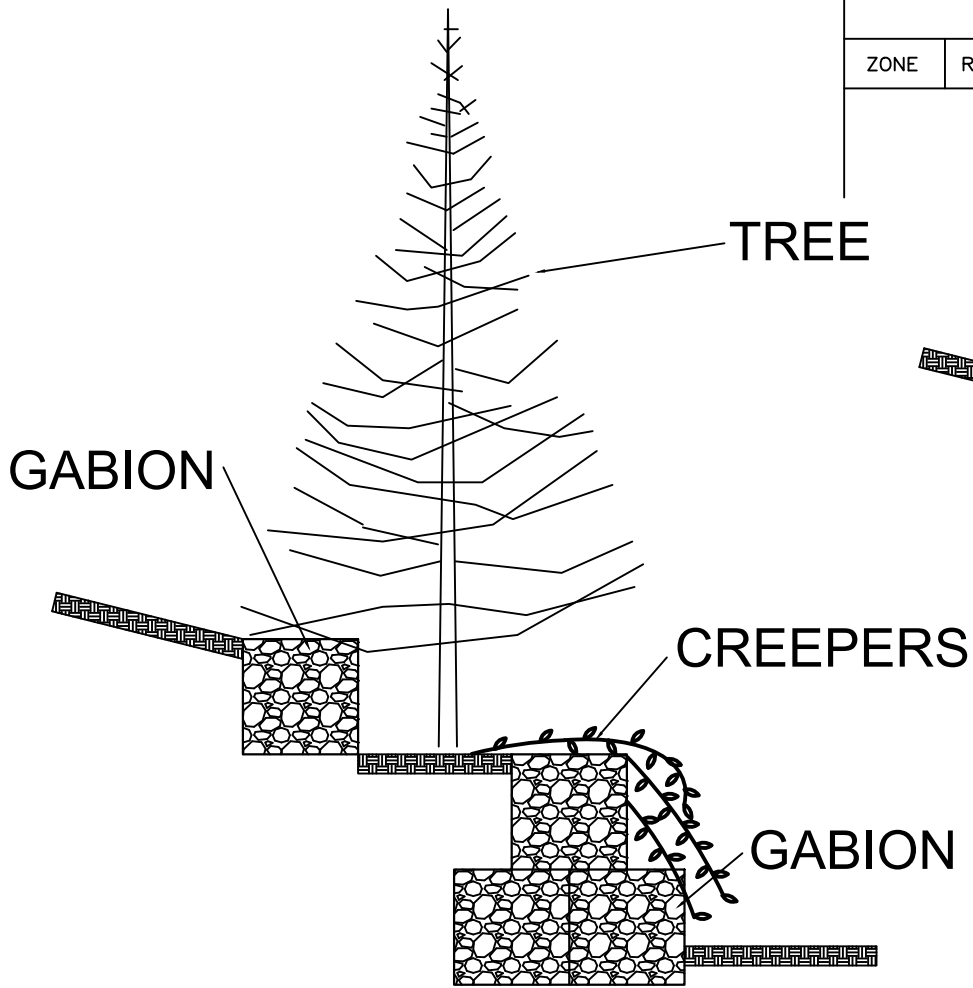


REVISIONS				
ZONE	REV	DESCRIPTION	DATE	APPROVED



	SD # M5A - LANDSCAPED GABION PLAN & ELEVATION			
	Alliance Geotechnical Solutions, LLC Phone: 918-645-2963 Email: <a href="mailto:alliancegsolutions@gmail.com">alliancegsolutions@gmail.com</a>			
	SIZE	FSCM NO.	DWG NO. AGSM5A	REV
	SCALE	DRAWN BY: T.YU CHECKED BY: COLIN GLASS	SHEET 83	

REVISIONS				
ZONE	REV	DESCRIPTION	DATE	APPROVED

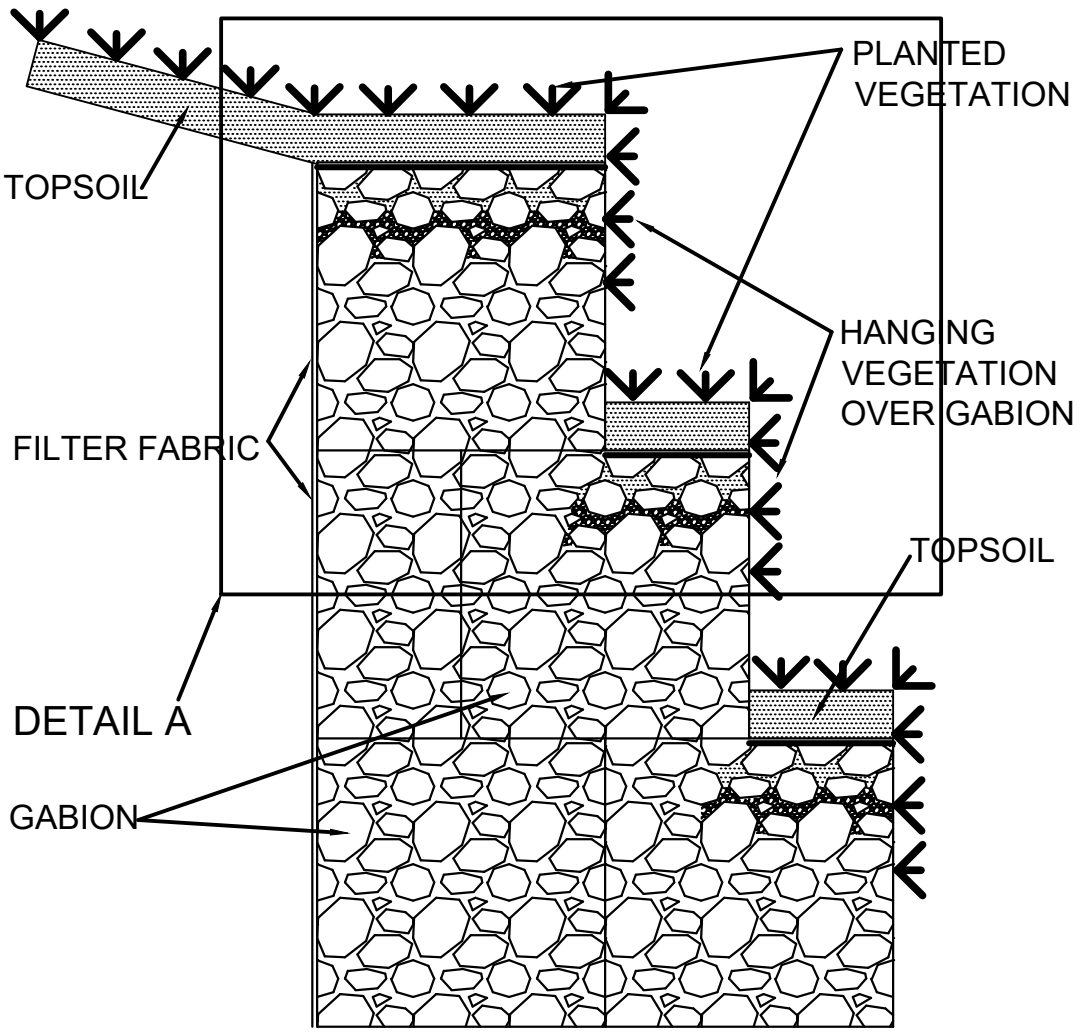


## SECTION B

## SECTION A

		SD # M5B - LANDSCAPED GABION SECTIONS			
		Alliance Geotechnical Solutions, LLC Phone: 918-645-2963 Email: alliancegsolutions@gmail.com			
	SIZE	FSCM NO.	DWG NO.	AGSM5B	REV
	SCALE	DRAWN BY: T.YU CHECKED BY: COLIN GLASS		SHEET 84	

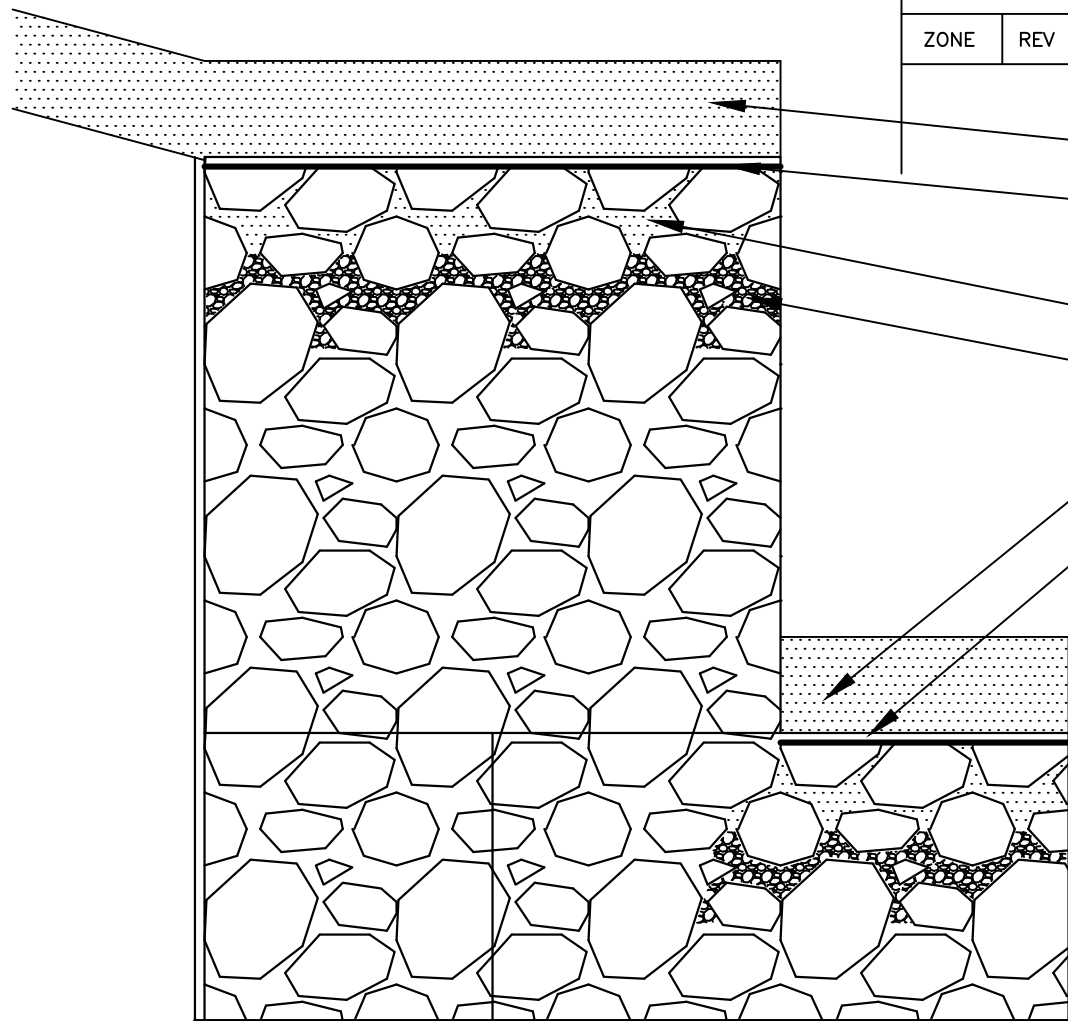
REVISIONS				
ZONE	REV	DESCRIPTION	DATE	APPROVED



# SECTION

		<b>SD# M5C- VEGETATED GABION SECTION</b>		
		Alliance Geotechnical Solutions, LLC Phone: 918-645-2963 Email: <a href="mailto:alliancegsolutions@gmail.com">alliancegsolutions@gmail.com</a>		
	SIZE	FSCM NO.	DWG NO.	REV
			<b>AGSM5C</b>	
	SCALE		Drawn by: T.YU Checked by: Colin Glass	SHEET <b>85</b>

REVISIONS				
ZONE	REV	DESCRIPTION	DATE	APPROVED



- 4" to 6" of top soil
- Erosion control mat inside gabion basket if required
- 4" to 6" of topsoil inside the gabion
- 4" to 6" of gravel inside the gabion
- 4" to 6" of top soil
- Erosion control mat inside gabion basket if required

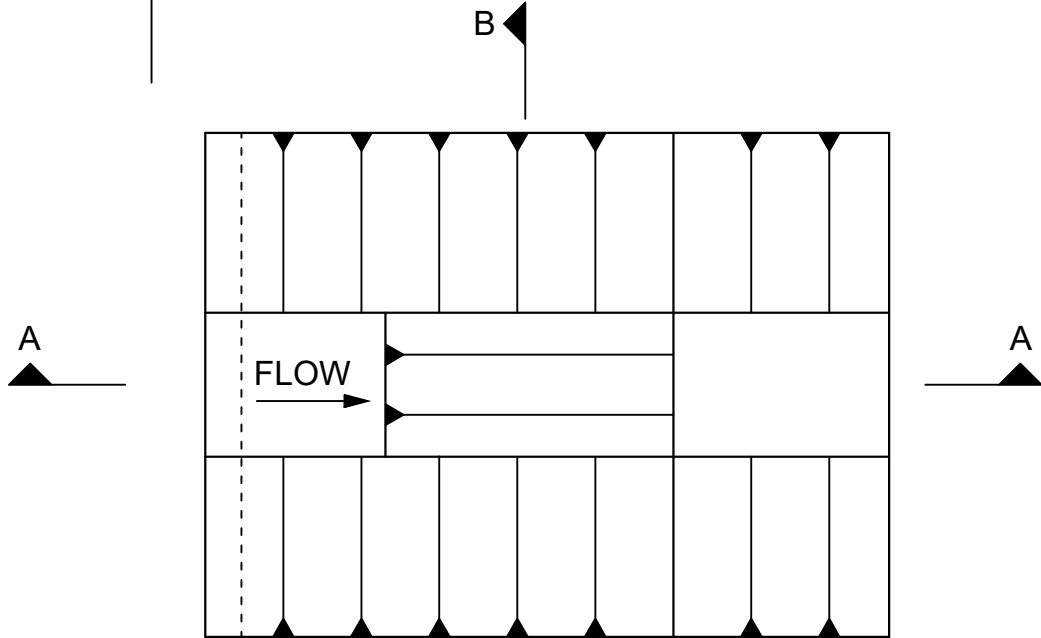
**Notes:**  
 The crushed stone & topsoil inside the gabion can be either be installed at the same time as the gabion or be swept and water jetted in after the installation of the gabion. The void in the gabion shall be reduced by moving the gabion rock, not by filling the void with crushed stone or topsoil.

# DETAIL A

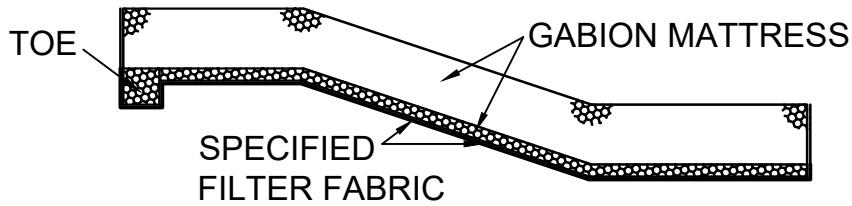
<b>SD# M5D- VEGETATED GABION DETAIL</b>				
Alliance Geotechnical Solutions, LLC Phone: 918-645-2963 Email: alliancegsolutions@gmail.com				
SIZE	FSCM NO.	DWG NO.	<b>AGSM5D</b>	
SCALE	Drawn by: T.YU Checked by: Colin Glass		SHEET 86	



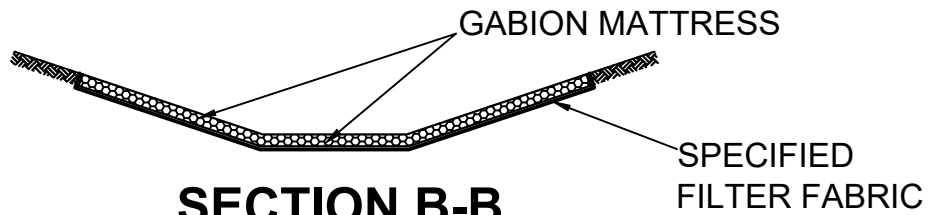
REVISIONS				
ZONE	REV	DESCRIPTION	DATE	APPROVED



**PLAN**



**SECTION A-A**

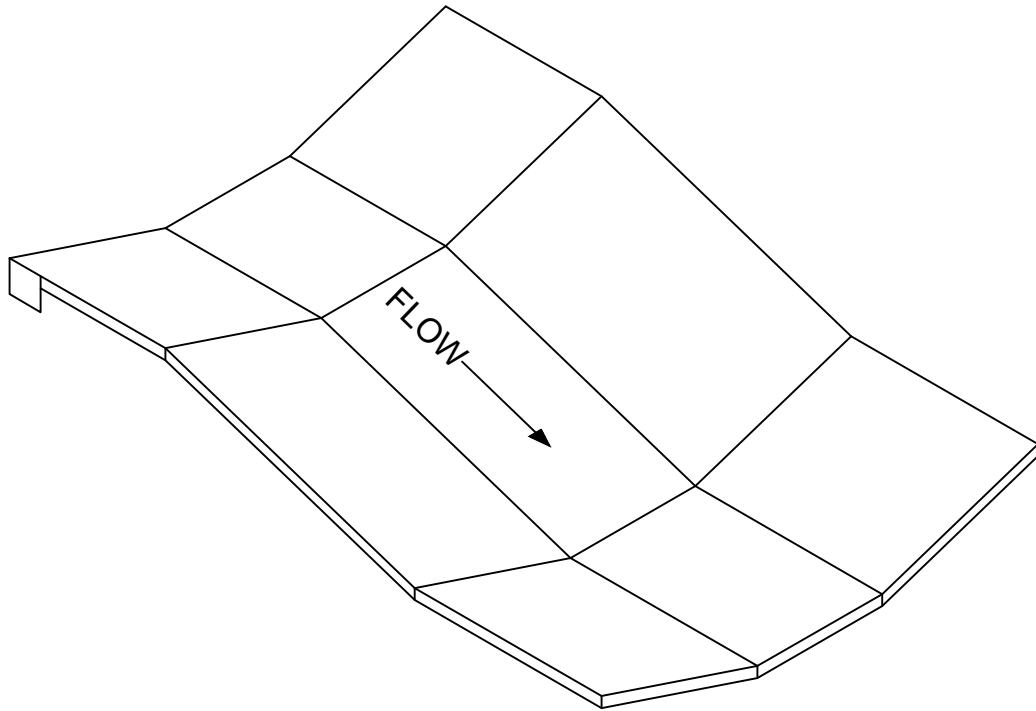


**SECTION B-B**

		SD # M6A - GABION CHUTE PLAN & SECTIONS		
		Alliance Geotechnical Solutions, LLC Phone: 918-645-2963 Email: alliancegsolutions@gmail.com		
	SIZE	FSCM NO.	DWG NO.	REV
			AGSM6A	
	SCALE	DRAWN BY: T.YU CHECKED BY: COLIN GLASS	SHEET 87	

REVISIONS

ZONE	REV	DESCRIPTION	DATE	APPROVED



**ISOMETRIC**

	SD # M6B - GABION CHUTE -ISOMETRIC VIEW			
	Alliance Geotechnical Solutions, LLC Phone: 918-645-2963 Email: alliancegsolutions@gmail.com			
	SIZE	FSCM NO.	DWG NO. AGSM6B	REV
	SCALE	DRAWN BY: T.YU CHECKED BY: COLIN GLASS	SHEET 88	